

The following Document contains no Personal Information as defined by NRS 603A.040

MAP FILING FORM

Map of the VG Mining Claim Group in Sections 9, 10, 14 and 15 of Township 8S, Range 70E and Section 36 of Township 7S Range 70E, MDM Vigo Mining District, Lincoln County, Nevada Located November 12 and 16, 2022

Locator name & address:
 American Lithium Minerals, Inc.
 6440 Sky Pointe Dr., Ste 140-149
 Las Vegas, NV 89131

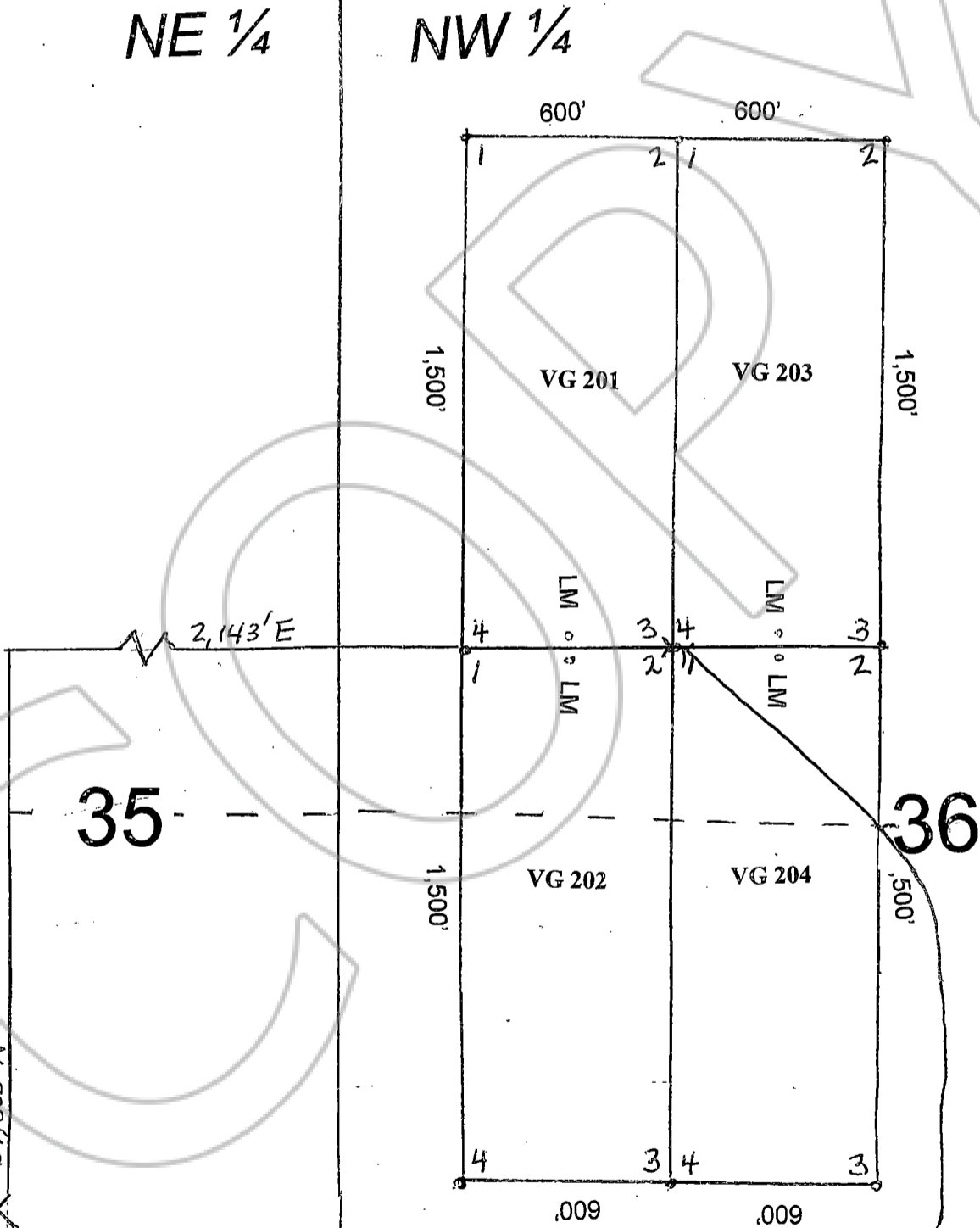
Location monuments denoted by "LM"
 Scale: 1" = 500'



OFFICIAL RECORD
 AMY ELMER, RECORDER

RECORDER'S STAMP

Map page 3 of 3



Tie Point: Common Corner of VG201, 202, 203 & 204 bears 34,805'N and 2,143'E from NW corner of Section 36, T 8 1/2 S R 70E

NW Cor. Sec. 36
 T 8 1/2 S R 70E
Brian M. O'Connell, President