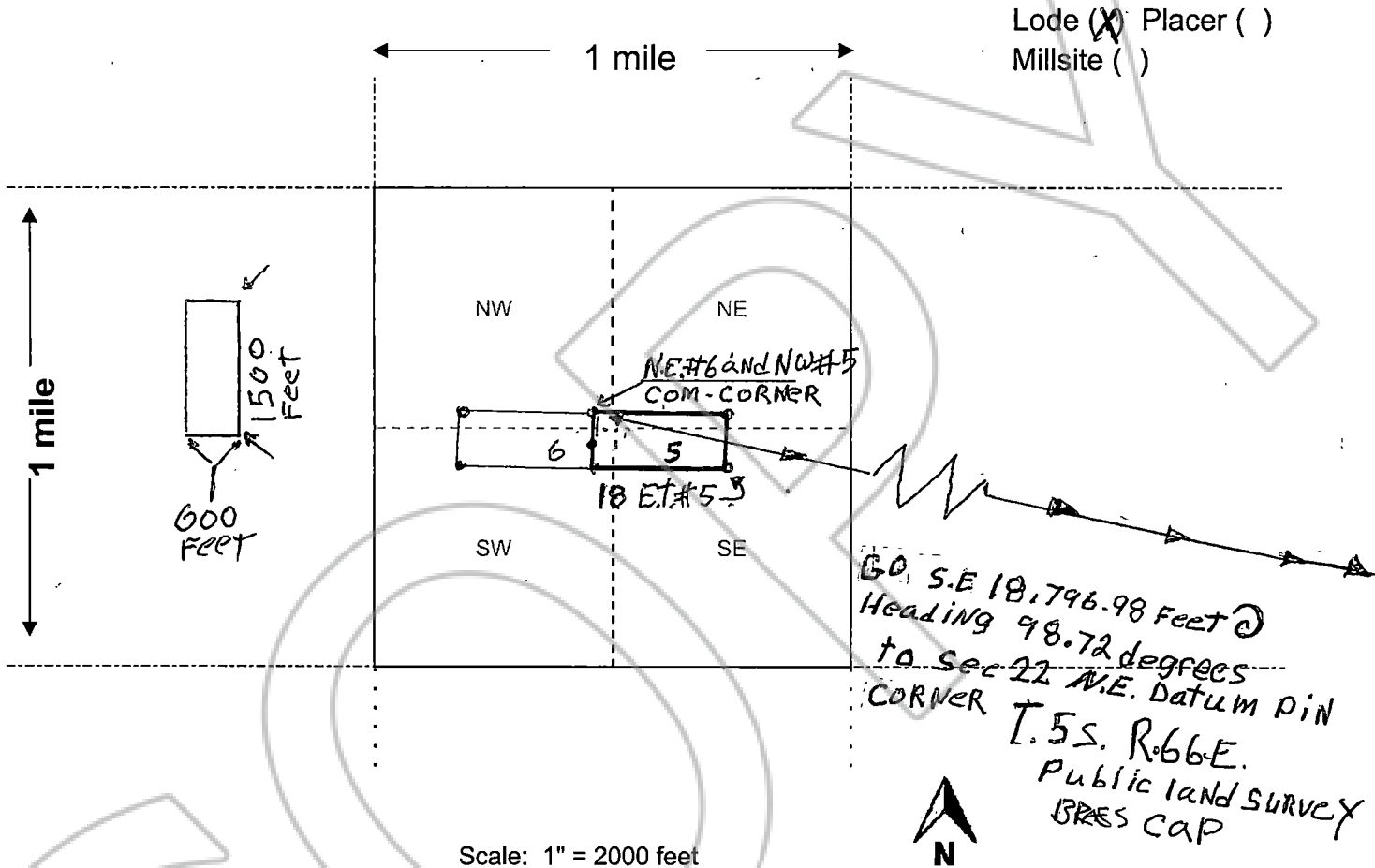




OFFICIAL RECORD  
 AMY ELMER, RECORDER

**MINING CLAIM MAP**



Scale: 1" = 2000 feet

1. The above map depicts the E.T.#5 mining claim, which is located in Section (s) 18, Township 5 S, Range 66 E, Mount Diablo and Salt River Base and Meridian, LINCOLN County, NV Arizona. Total claim acreage is 20

2. The type of corner and location monuments used are as follows: 12X2 Wood Post

3. The bearings and distances in degrees and feet between claim corners and to a public land survey monument are as depicted on the map.

4. If the claim is a placer or millsite claim with exterior limits conforming to legal subdivisions of the public survey, provide a legal description of the claim \_\_\_\_\_