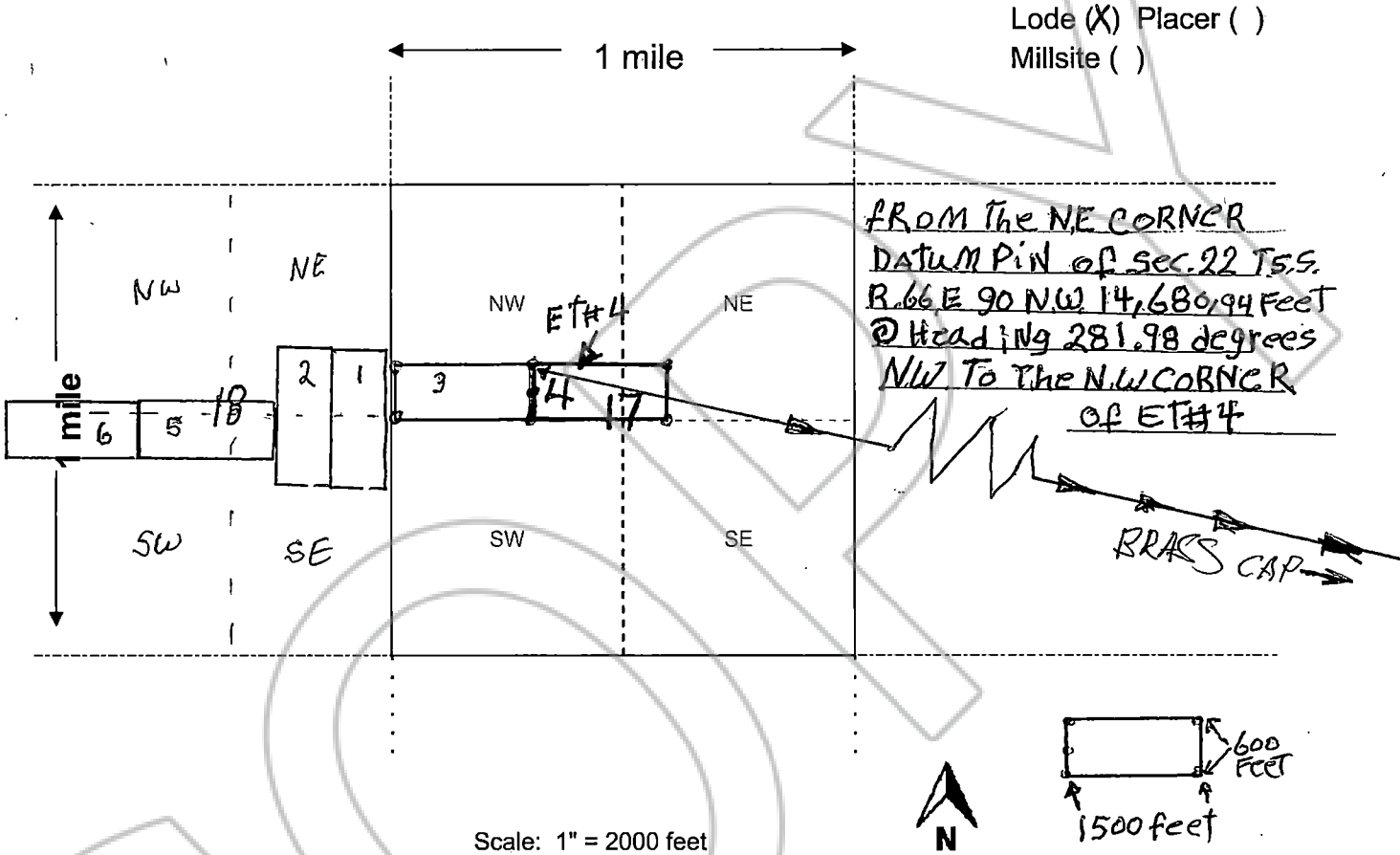




OFFICIAL RECORD
 AMY ELMER, RECORDER

MINING CLAIM MAP



Scale: 1" = 2000 feet

- The above map depicts the ET#4 mining claim, which is located in Section (s) 17, Township 5 S, Range 66 E, MOUNT DIADLO Meridian, LINCOLN County, NV Arizona. Total claim acreage is 20.
- The type of corner and location monuments used are as follows: 2X2 Wood Post
- The bearings and distances in degrees and feet between claim corners and to a public land survey monument are as depicted on the map.
- If the claim is a placer or millsite claim with exterior limits conforming to legal subdivisions of the public survey, provide a legal description of the claim _____

Form MCF100a
 Revised July 2014