

Claim Map Caldera Lode Claims - Part of  
 T 3 S & T 4 S, R 68 E & R 69 E, M.D.M.,  
 Lincoln County, Nevada.

36

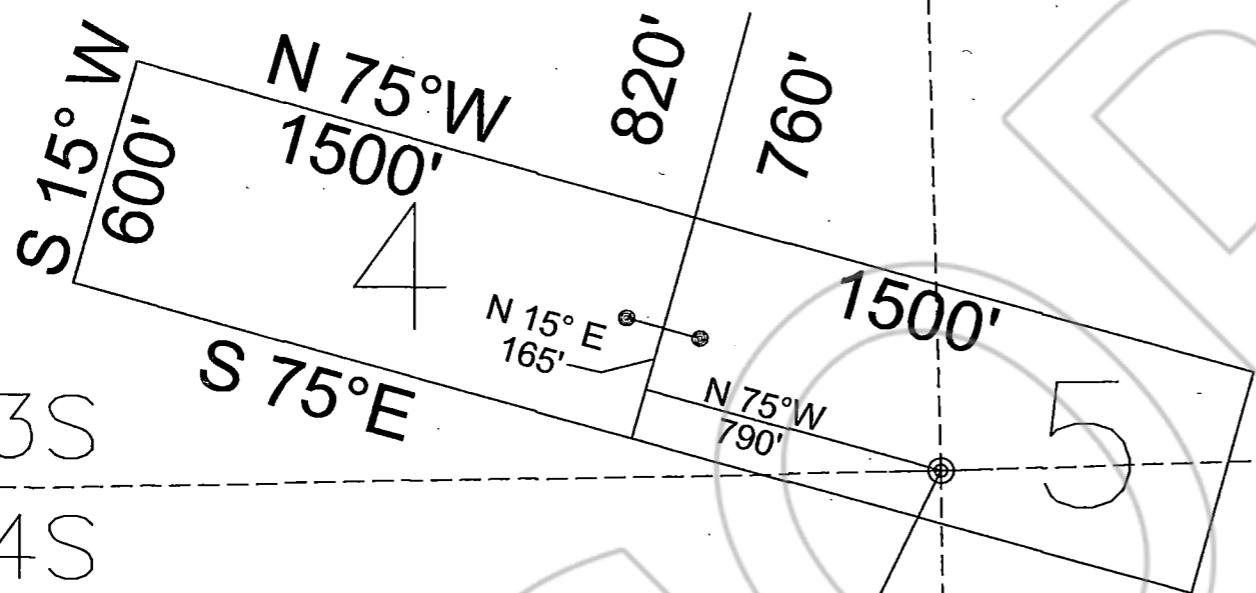
31

R68E R69E



SCALE 1" = 500'

NOTE: DISCOVERY MONUMENTS SHOWN ARE NOT TO SCALE FOR ILLUSTRATION PURPOSES.



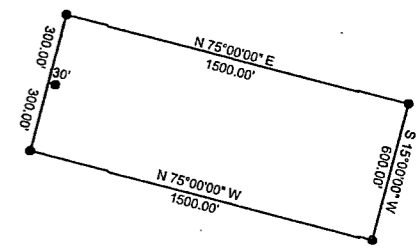
T3S  
T4S

SE SEC 36  
T3S R68E

1

6

TYPICAL CLAIM - NOT TO SCALE



2" x 2" post

LINCOLN COUNTY, NV 2021-159835  
 Rec:\$42.00  
 Total:\$42.00  
 SYNCLINE, LLC Pgs=1 AK  
 04/05/2021 02:12 PM



00006431202101598350010019

OFFICIAL RECORD  
 AMY ELMER, RECORDER

CLAIM DATE OF DISCOVERY- MARCH 15TH, 2021

CALDERA CLAIM MAP

T. 3 S. & T. 4 S., R. 68 E. & R. 69 E., M.D.M.  
 Lincoln County, Nevada

Syncline, LLC  
 P.O. Box 2360  
 Kings Beach, CA. 96143

JOB NO.:	200104	SHEET
DATE:	03-22-21	1
DRWN. BY:	TT	
CHECKED BY:	BB	OF
DRAWING	200104	1