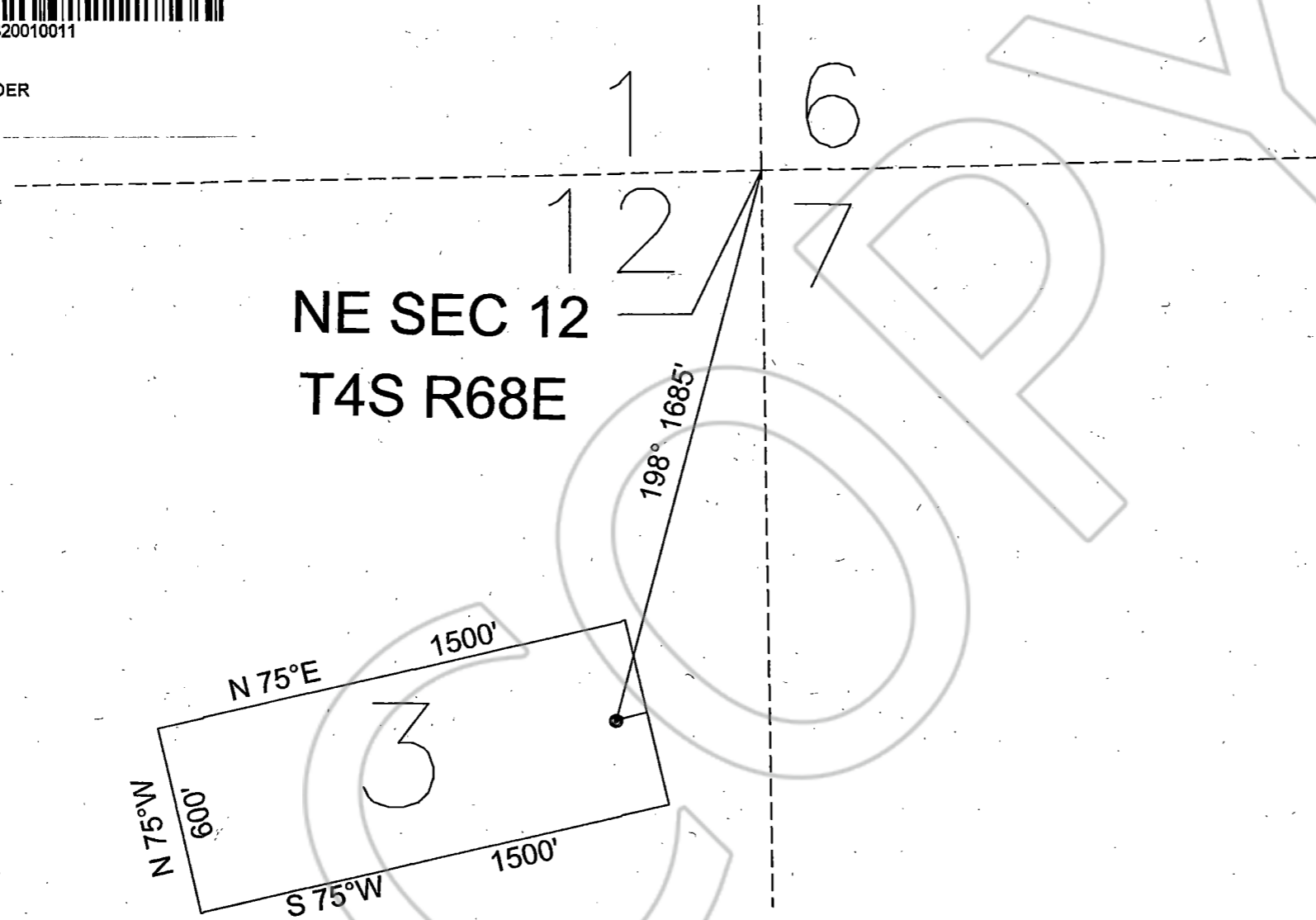


LINCOLN COUNTY, NV 2021-159832
 Rec:\$27.00
 Total:\$27.00
 SYNCLINE, LLC Pgs=1 AK
 04/05/2021 02:11 PM

*Claim Map Caldera Lode Claims - Part of
 T 3 S & T 4 S, R 68 E & R 69 E, M.D.M.,
 Lincoln County, Nevada.*

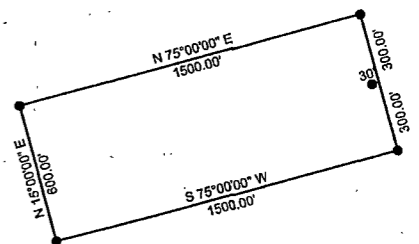


OFFICIAL RECORD
 AMY ELMER, RECORDER



SCALE 1" = 500'
 NOTE: DISCOVERY MONUMENTS SHOWN ARE NOT TO SCALE FOR ILLUSTRATION PURPOSES.

TYPICAL CLAIM - NOT TO SCALE



2" x 2" post

CLAIM DATE OF DISCOVERY- MARCH 15TH, 2021

CALDERA CLAIM MAP		
<i>T. 3 S. & T. 4 S., R. 68 E. & R. 69 E., M.D.M. Lincoln County, Nevada</i>		
Syncline, LLC P.O. Box 2360 Kings Beach, CA. 96143	JOB NO.:	200104
	DATE:	03-22-21
	DRWN. BY:	JT
	CHECKD. BY:	BB
	DRAWING	200104
	SHEET	1
	OF	1