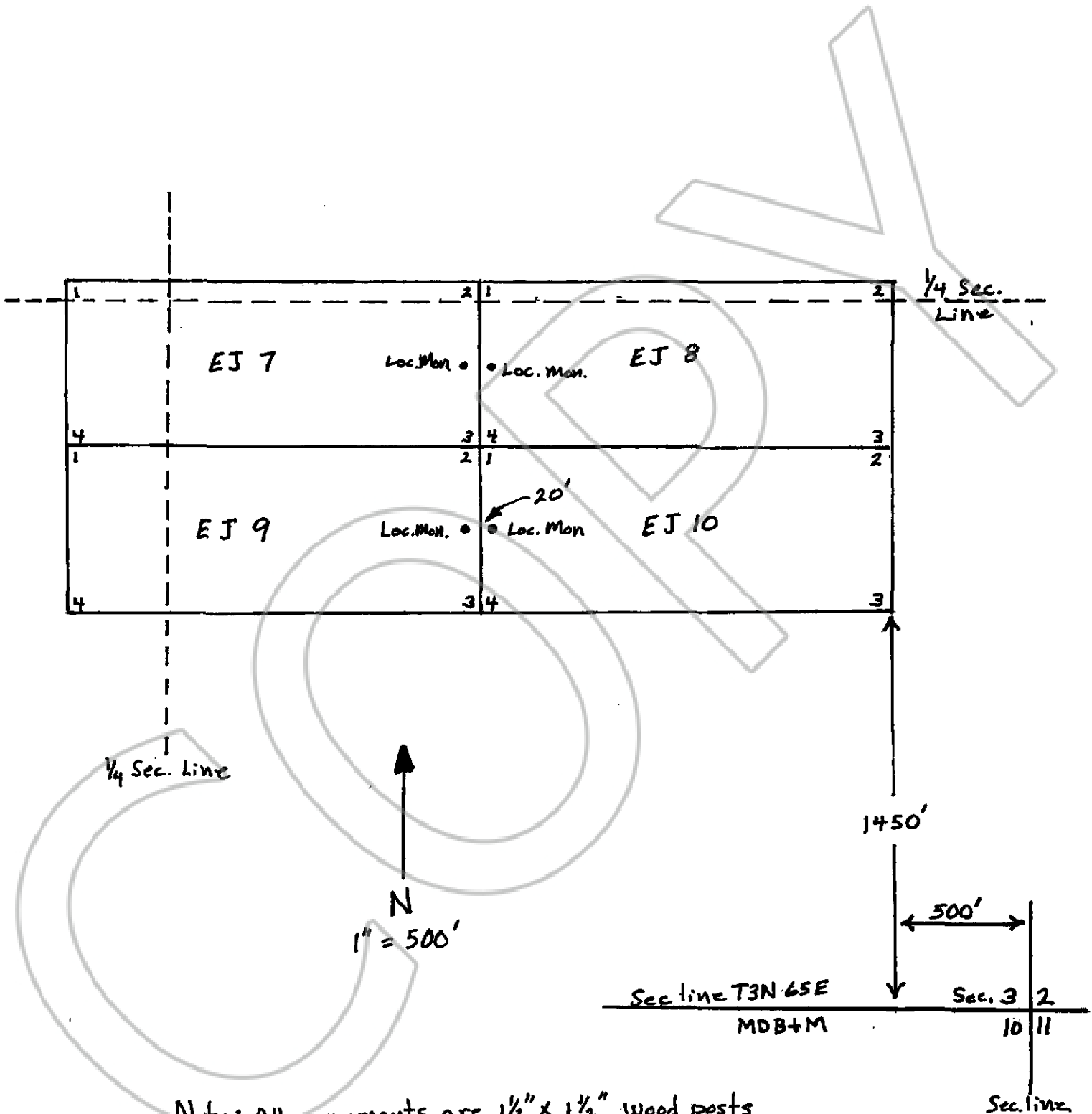




Map of EJ 7 thru EJ 10 Lode
Lincoln County NV
Claims Located 5/13/11

By: North Exploration LLC
1295 N. Bluff
St. George, UT 84770



Note: All monuments are 1 1/2" x 1 1/2" wood posts
4' long with metal tags.

All Claims are in the NW 1/4, NE 1/4, SW 1/4 or SE 1/4
of Sec. 3 T3N R6SE MDB+M.