

Map of Fox 1 thru Fox 4 Lode Clo  
Lincoln County NV.

Fox 1 Located 4/30/11

Fox 2 thru Fox 4 Located 5/2/11

By: North Exploration LLC  
1295 N. Bluff  
St. George, UT 84770

Official Record

Recording requested By  
NORTH EXPLORATION LLC

Lincoln County - NV

Leslie Boucher - Recorder

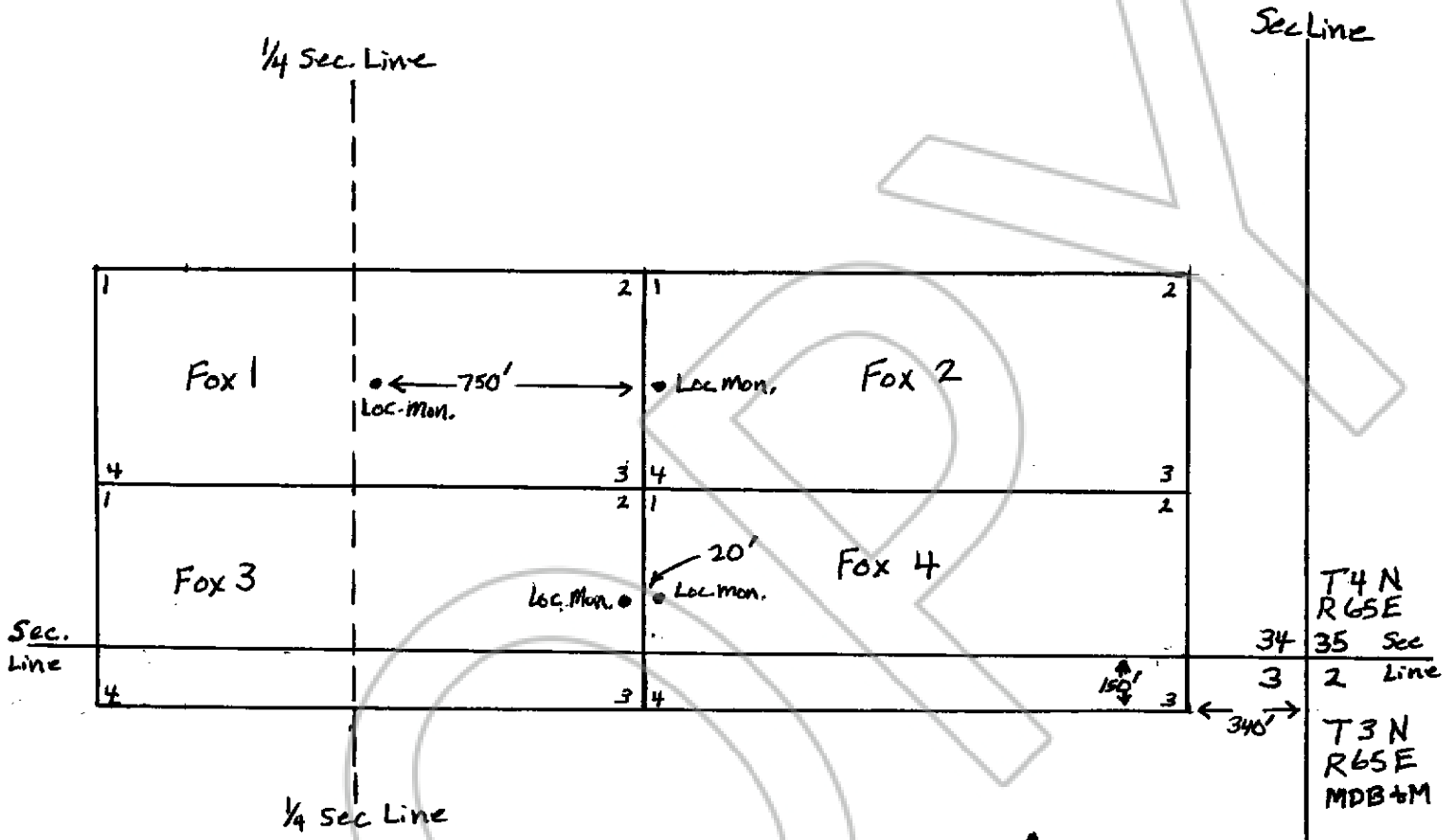
Fee: \$64.00

Page 1 of 1

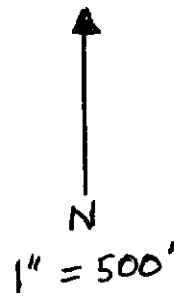
RPTT:

Recorded By: AE

Book- 265 Page- 0009



Note: All monuments are 1 1/2" x 1 1/2"  
 Wood posts 4' long with metal tags.  
 All Claims are in SW & SE 1/4 of  
 Sec. 34 T4N R6SE and NE & NW 1/4  
 of Sec. 3 T3N R6SE MDB+M.



Sec Line