

The following Document contains no Personal Information
as defined by NRS 603A.040



AMENDED MAP FILING FORM

Map of the MOUNTAIN LION MINE Mining

Claim Group, in Section 17, Township 1 N

Range 66 E, in the

COMET Mining District,

LINCOLN County, Nevada,

Located on the 26 day of MAY, 20 10 by

Locator name and address (please print):

CLINTON A. MOORE SR.

CLINT Moore

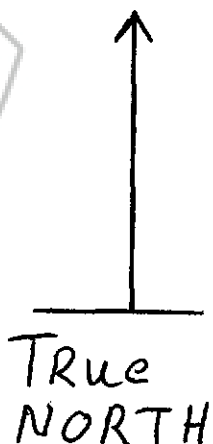
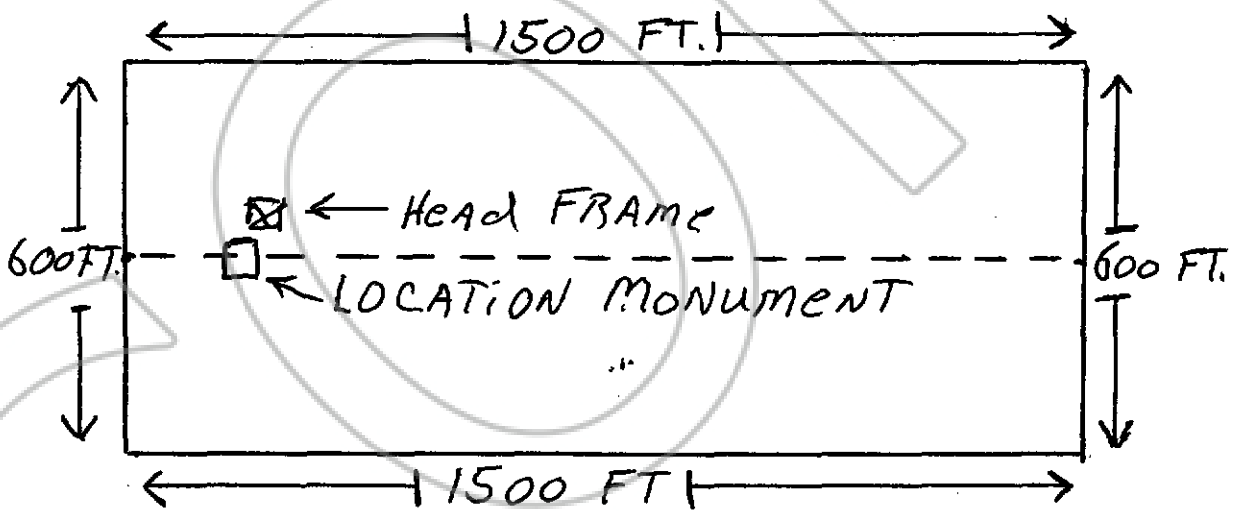
PO Box 777

Pioche, NEVADA 89043

RECORDER'S STAMP

Describe here the position of the Claim Location Monument, if one is used.

CLAIM LOCATION MONUMENT IS 150 FT. EAST OF
THE WEST CLAIM LINE - ON THE CENTER LINE -
SOUTH OF THE STANDING HEAD FRAME



Scale = 1" = 300'