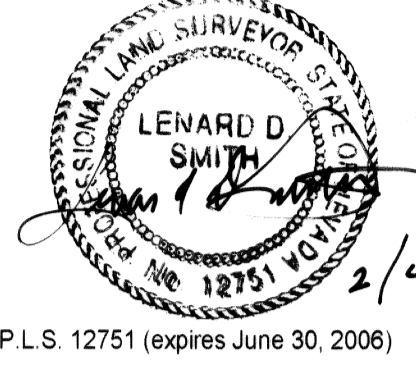


SURVEYOR'S CERTIFICATE

I, Lenard D. Smith, a Professional Land Surveyor licensed in the State of Nevada, certify that:

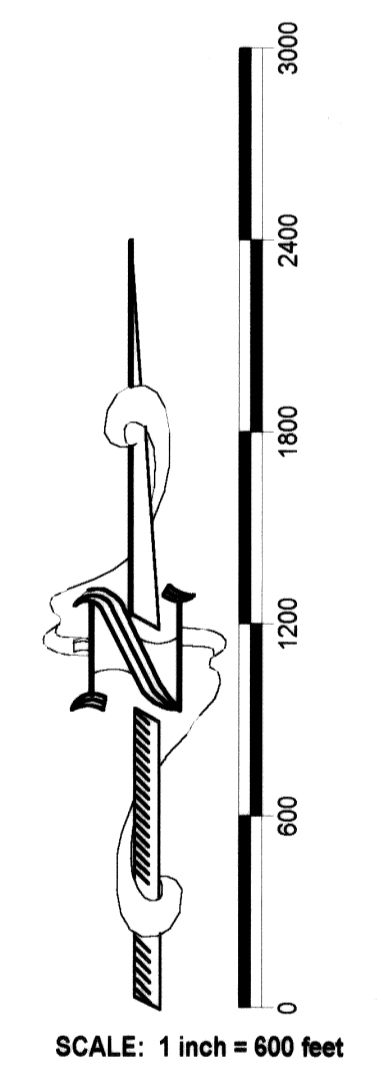
- This plat represents the results of a survey conducted under my direct supervision at the instance of Wayne Turner.
- The lands surveyed lie within Sections 13, 14, 23, and 24, Township 2 South, Range 67 East, M.D.M. The survey was completed on September 4, 1998.
- This plat complies with the applicable state statutes and any local ordinances in effect on the date that the governing body gave its final approval.
- The monuments depicted on the plat are of the character shown, occupy the positions indicated and are of sufficient number and durability.



Lenard D. Smith P.L.S. 12751 (expires June 30, 2006)

BASIS OF BEARINGS

The 67°68' Range Line between sections 36 & 31, and 25 & 30, of T. 2 S., which is given as North in G.L.O. Notes.



RECORDER'S CERTIFICATE

File Number: 123746
 Recorded at the request of Lenard D. Smith
 Filed in Plat Book C, Pages 100-100A
 This 4 day of Feb, 2005
 at 2:28 p.m.
 LESLIE BOUCHER, RECORDER
 by Amy Emu, Deputy
 Fee: \$31.00

RECORD OF SURVEY

FOR WAYNE TURNER

IN SECTIONS 13, 14, 23, & 24, T. 2 S., R. 67 E., M.D.M., LINCOLN COUNTY, NEVADA

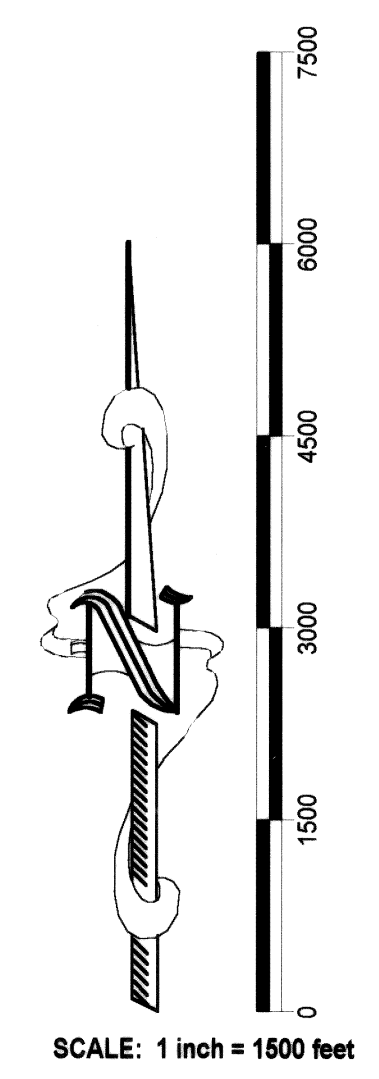
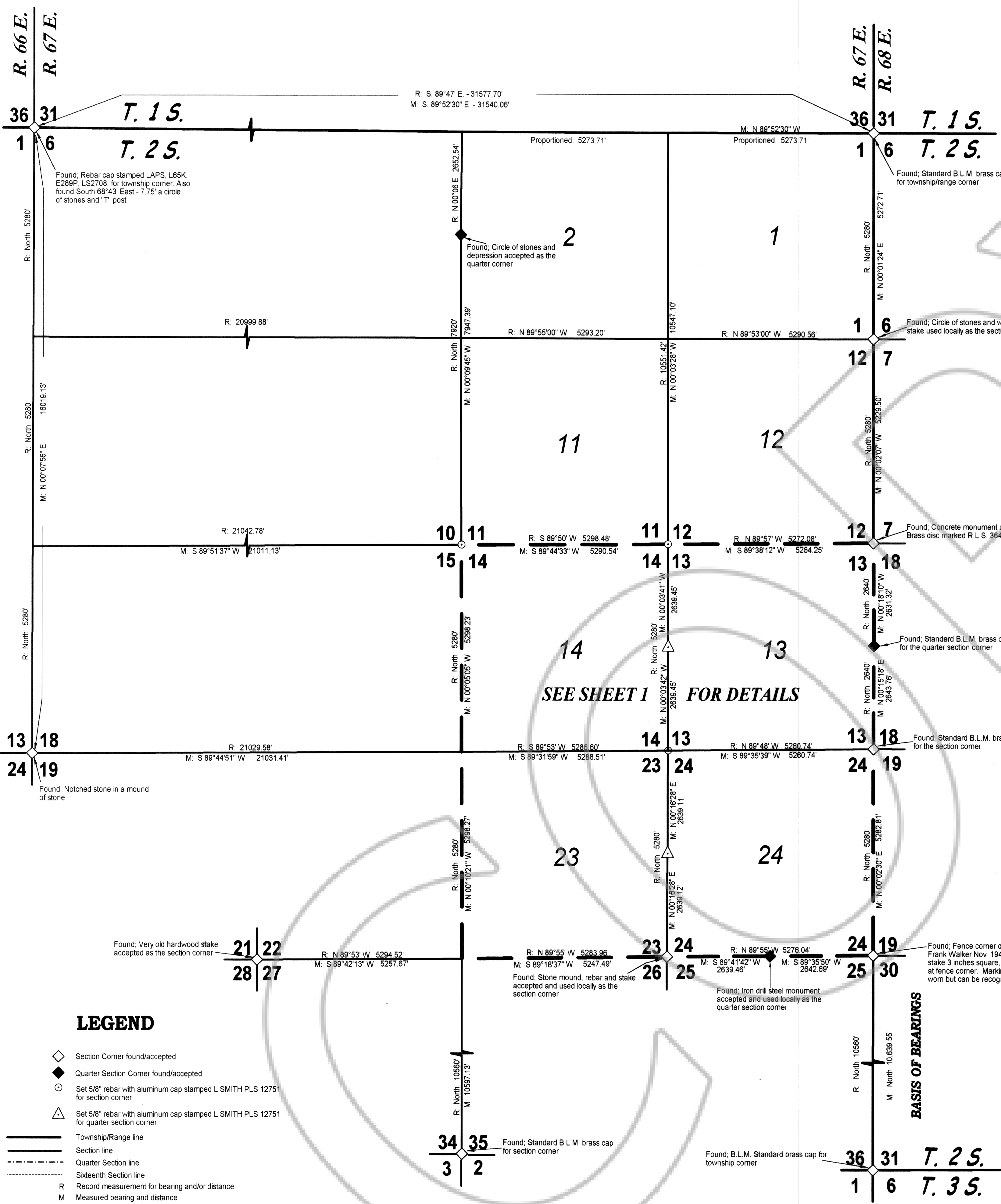
SHEET NO. 1 OF 2 SHEETS

Lenard Smith LAND SURVEY
 509 main street
 P.O. Box 443
 Caliente, Nevada 89008
 Phone/Fax 775 726 3365

T. 2 S., R. 67 E., M.D.M.

R. North 10560'
 M. North 10659.55'
36 31
1 6
BASIS OF BEARINGS

100A



RECORDER'S CERTIFICATE
 File Number 123746
 Recorded at the request of Lenard D. Smith
 Filed in Plat Book C, Page 100-100A
 This 4 day of Feb, 2005
 at 9:28 p.m.
 LESLIE BOUCHER, RECORDER
 by Amy E. Murphy, Deputy
 Fee _____

RECORD OF SURVEY
FOR WAYNE TURNER
 IN SECTIONS 13, 14, 23, & 24, T. 2 S., R. 67 E., M.D.M.,
 LINCOLN COUNTY, NEVADA
 SHEET NO. 2 OF 2 SHEETS

Lenard Smith LAND SURVEY
 509 main street
 P.O. Box 443
 Caliente, Nevada 89008
 Phone/Fax 775 726 3365