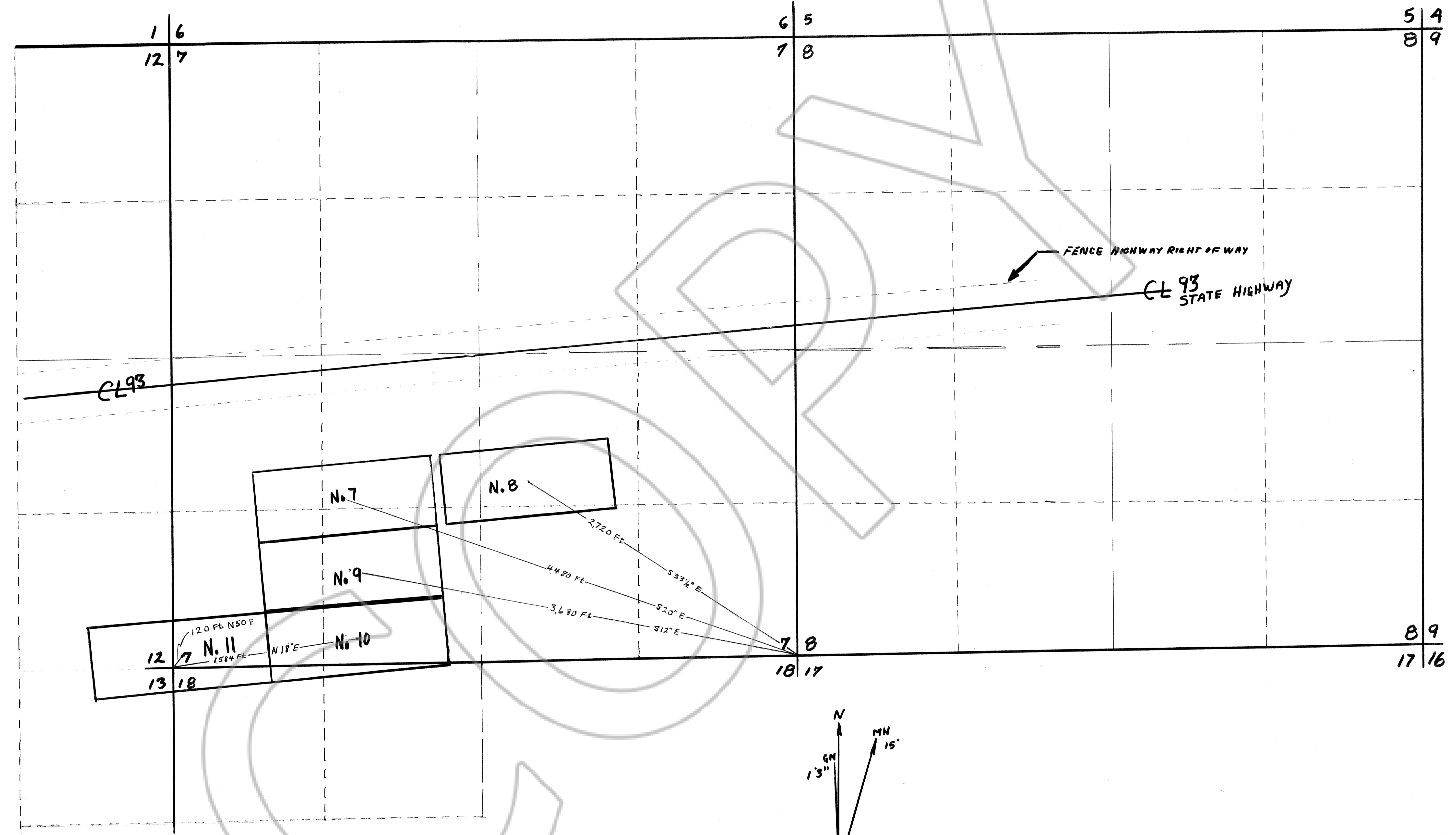


R 64 E MDM T 4 S

REF: US DEPT OF THE INTERIOR
GEOLOGICAL SURVEY
CALIENTE QUADRANGLE
NEVADA



SCALE 1"=400 FT.

No. 120498
FILED AND RECORDED AT REQUEST OF
Beverly Jacobs
JUL 11 2008
AT 2:11 PM IN THE EAST 1/4 OF SECTION
17 IN T4S R64E MDM T4S OF OFFICIAL
RECORDS, PAGE 117, LINCOLN
COUNTY, NEVADA

Leticia Borcher
COUNTY RECORDER

BOOK 175 PAGE 117

BEVERLY SILVER MINES N. 7, N. 8,
N. 9, N. 10, and N. 11

APPROVED BY *Beverly Jacobs*