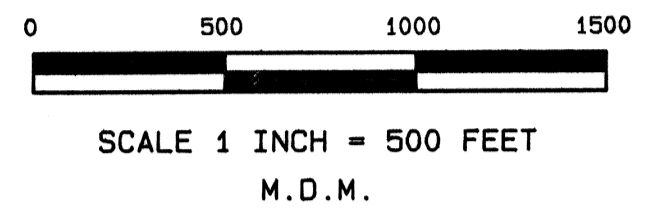
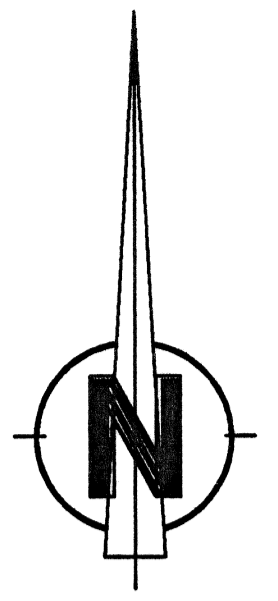


6

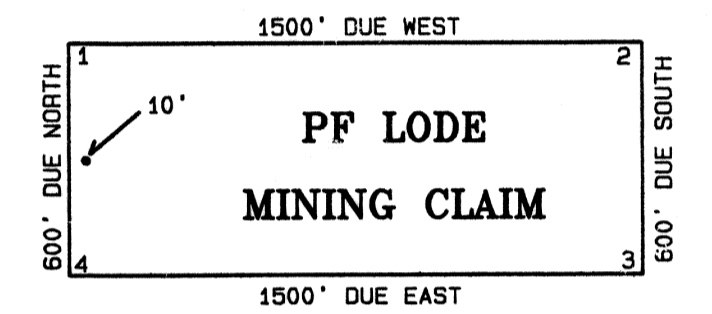
5

4

T1S



TYPICAL CLAIM & CORNER NUMBERS

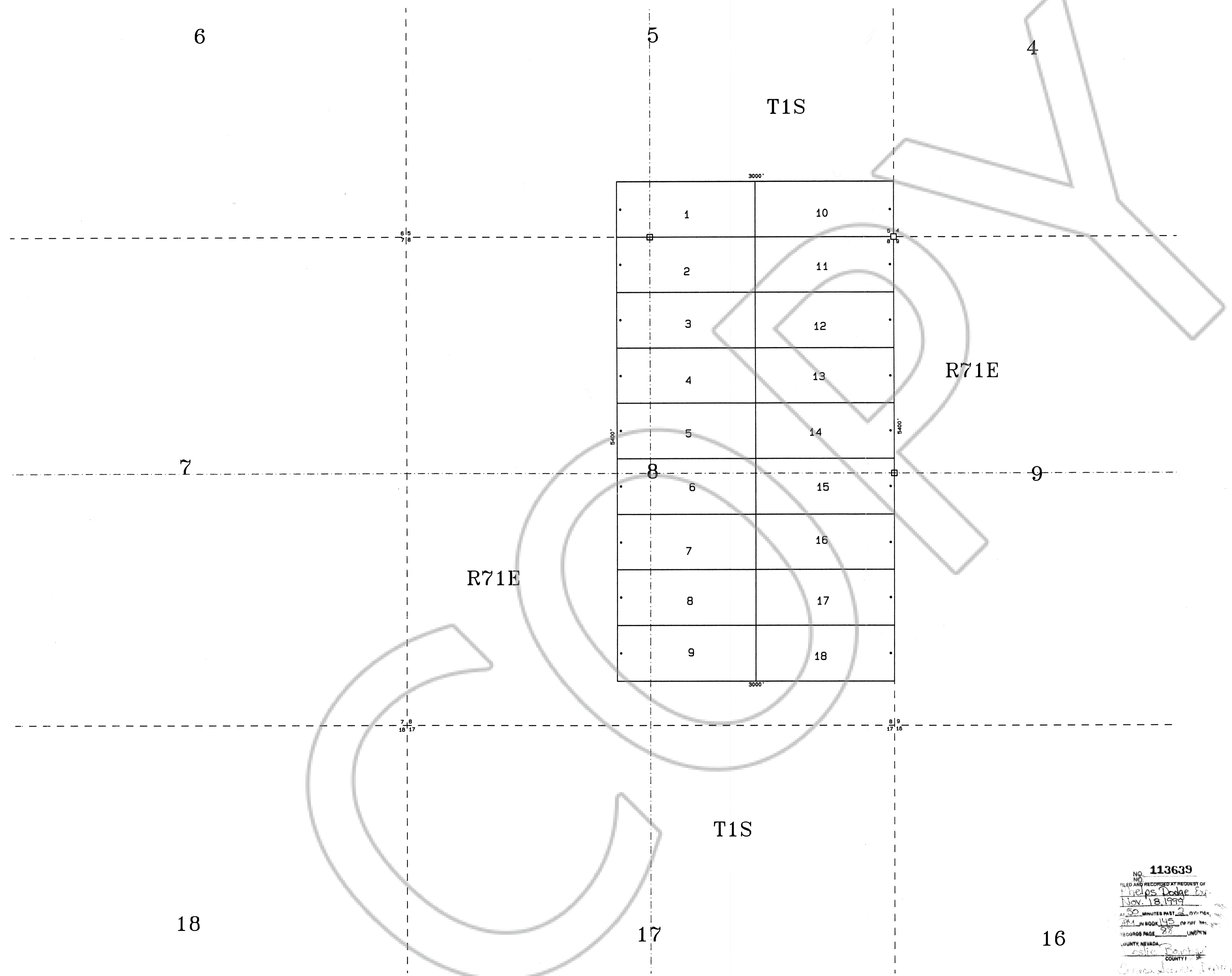


TIE: THE SE CORNER OF SECTION 5, T1S, R71E, M.D.M. IS THE SE CORNER OF PF 10.

ALL CLAIMS ARE 600' WIDE X 1500' LONG UNLESS NOTED.  
ALL LOCATION MONUMENTS ARE 10' IN FROM THE END CENTER UNLESS NOTED.  
ALL LOCATION MONUMENTS AND CLAIM CORNERS ARE 2"x2"x4" WOOD POST.  
□ DENOTES A FOUND SECTION CORNER ( BRASS CAP ).

LOCATION DATE:

September 15th, 1999 PF 1 - 18.



NO. 113639  
FILED AND RECORDED AT REQUEST OF  
Phelps Dodge Ex.  
Nov. 18, 1999  
AT 50 MINUTES PAST 2 O'CLOCK  
P.M. IN BOOK 145 OF THE REG.  
RECORDS PAGE 88 LINCOLN  
COUNTY, NEVADA  
Linda Packer  
COUNTY CLERK

145 88

PHELPS DODGE EXPLORATION CORPORATION  
P.O. BOX 12760  
RENO, NEVADA 89510-2760

PF LODGE MINING CLAIMS  
NUMBERS 1 - 18

SECTIONS 5 & 8, T1S, R71E, M.D.M.

LINCOLN COUNTY, NEVADA