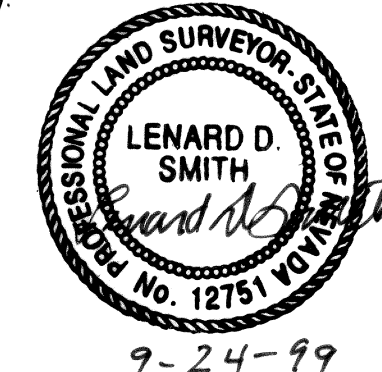


SURVEYOR'S CERTIFICATE

- I, Lenard D. Smith, a Professional Land Surveyor registered in the State of Nevada Certify that:
1. This Plat represents the results of a survey conducted under my supervision at the instance of Andra Farmer.
 2. The Land surveyed lies within Section 2, T.3S. R.67E., M.D.M., and was completed on September 13, 1999.
 3. This plat complies with applicable statutes of this state and any local ordinances in effect on the date that the survey was completed, and the survey was conducted in accordance with Chapter 625 of the Nevada Administrative Code.
 4. The monuments depicted on the plat are of the character shown, occupy the positions indicated and are of sufficient durability.



Lenard D. Smith, P.L.S. 12751

MAP REFERENCE

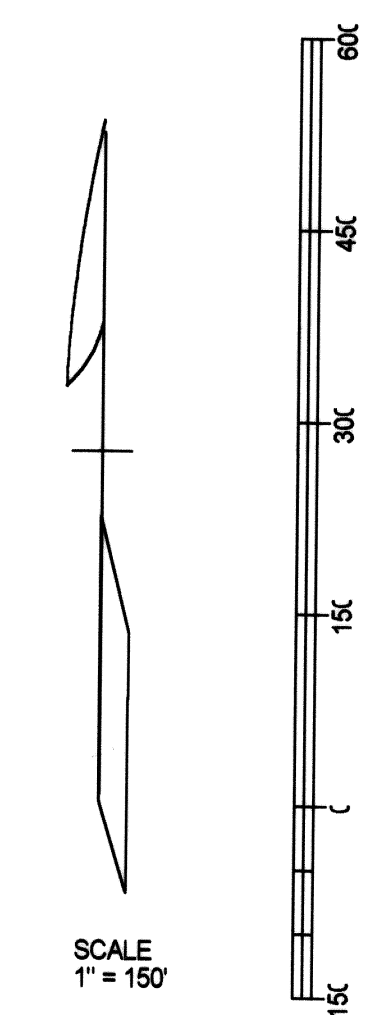
B.L.M. DEPENDENT RESURVEY OF 1971, approved 1973

BASIS OF BEARINGS

The west half of the south Section 2 line, T.3S., R.67E. M.D.M., as shown and recorded in the Dependent Resurvey approved June 25, 1973, as N.89°42'W.

LEGEND

- Set 5/8" rebar with cap stamped L SMITH PLS 12751



RECORDER'S CERTIFICATE
 File number: **113503**
 Recorded at the request of ANDRA FARMER
 Date: 10-21-99 at 3:15 p.m.
 Filed Plat Book B, Page 254
 of Lincoln County, Nevada Records
 LESLIE BOUCHER, RECORDER
 By: Jerisa Stevens
 Deputy

Lenard Smith
Land Survey
 509 Main Street
 Caliente, Nevada 89008
 P.O. Box 443
 Phone/Fax 775 726 3365

RECORD OF SURVEY
BOUNDARY LINE SURVEY OF THE WEST SIDE OF U.S. HIGHWAY 93 IN THE SE1/4SW1/4 SECTION 2, TOWNSHIP 3 SOUTH, RANGE 67 EAST, M.D.M.
 FOR LEE ANDRA ENTERPRISES UNLIMITED

SECTION 2, TOWNSHIP 3 SOUTH, RANGE 67 EAST, M.D.M.