

LOCATION DATE:  
 9/13/97  
 9/14/97  
 9/30/97

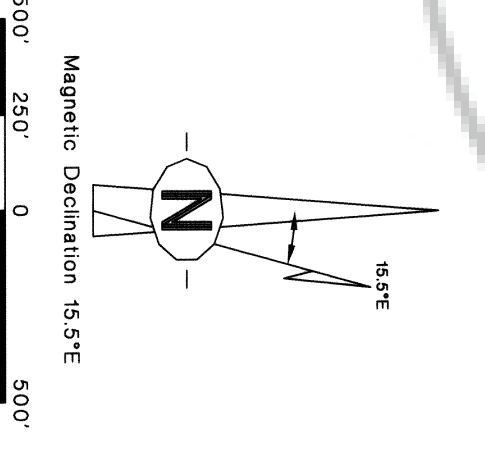
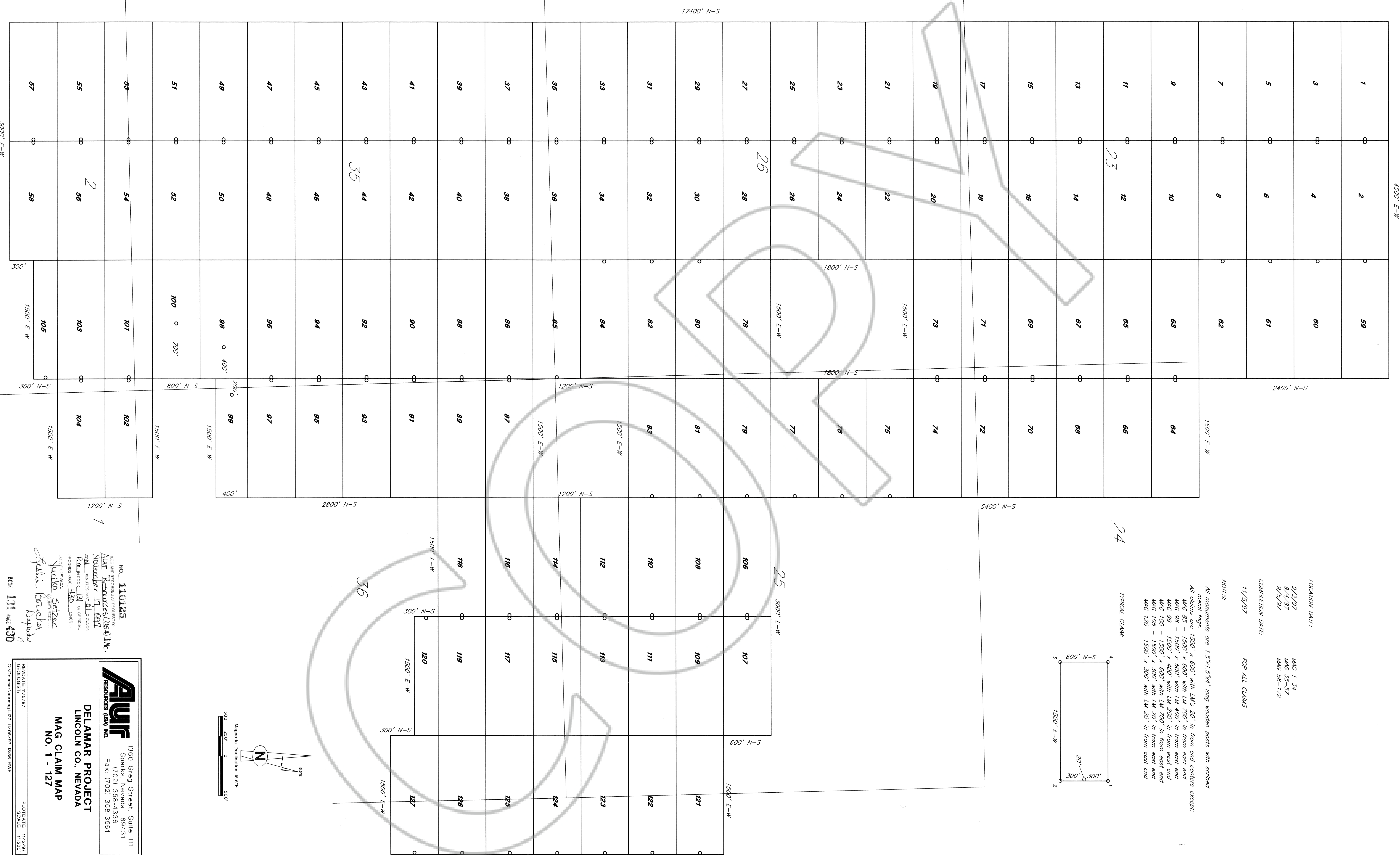
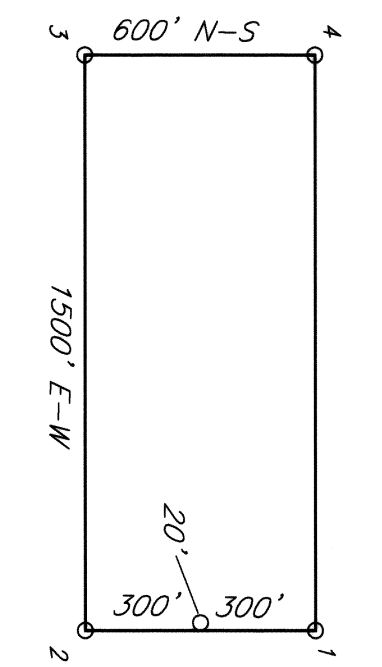
MAG 1-34  
 MAG 35-57  
 MAG 58-112

COMPLETION DATE:  
 11/5/97  
 FOR ALL CLAIMS

NOTES:

All monuments are 1.5"x1.5"x4" long wooden posts with scribed metal tags.  
 All claims are 1500' x 600' with LM's 20' in from east end centers except:  
 MAG 85 - 1500' x 600' with LM 700' in from east end  
 MAG 98 - 1500' x 600' with LM 400' in from east end  
 MAG 99 - 1500' x 400' with LM 200' in from west end  
 MAG 100 - 1500' x 600' with LM 200' in from east end  
 MAG 105 - 1500' x 300' with LM 20' in from east end  
 MAG 120 - 1500' x 300' with LM 20' in from east end

24  
 TYPICAL CLAIM:



NO. 111125  
 ALL RIGHTS RESERVED  
 AUR Resources (USA) Inc.  
 November 17, 1997  
 A.D. MONITORED BY OIL CHECK  
 ELEM. CHECK 131.66 OF CHECK  
 T.C.P.M. DATE 130 J.M.C.C.!!  
 AUR Resources (USA) Inc.  
 Janako Sattler  
 Galia Borucka  
 Kimberly Knapik  
 BOX 131 MAIL 430

**AUR**  
 RESOURCES (USA) INC.  
 1360 Greg Street, Suite 111  
 Sparks, Nevada 89431  
 (702) 358-4336  
 Fax: (702) 358-3561

---

**DELMAR PROJECT**  
 LINCOLN CO., NEVADA  
 NO. 1 - 127

MAG CLAIM MAP

DATE: 11/4/97  
 SCALE: 1"=500'

PROPOSED: 11/3/97  
 RELOCATED: 11/3/97  
 1336 RNF