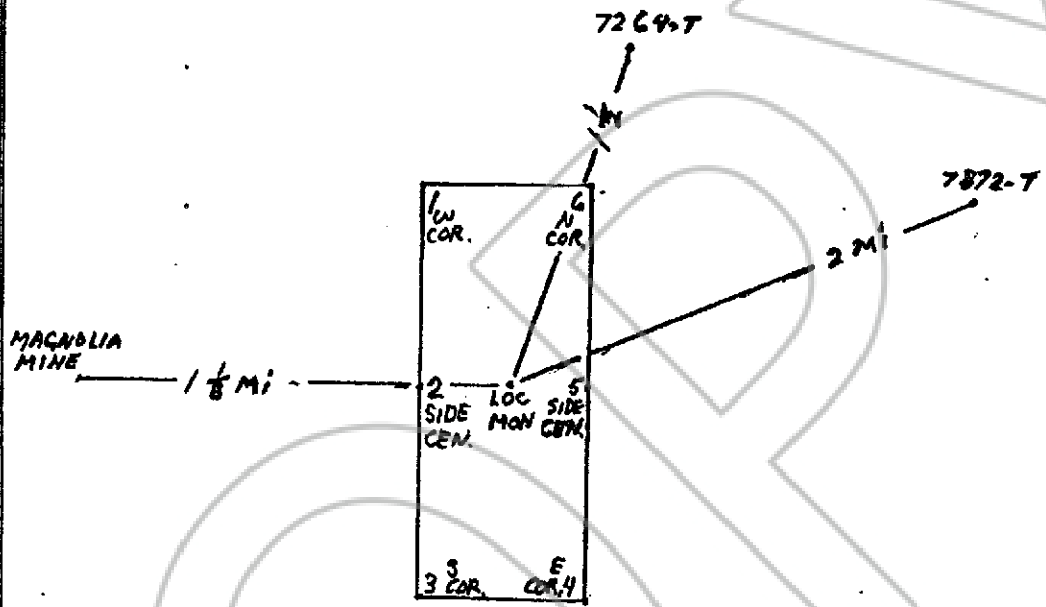


1" = 500'



Describe here the position of the Claim Location Monument, if one is used.

MON., SIDES, CORNERS, ALL WOODEN STAKES, 4X4 POSTS

Map of the HISTORY REPEATS #1 Mining Claim Group,

in Section 30 Township, 5-S Range 65-E,

in the FERGUSON Mining District,

LINCOLN County, Nevada.

Located on the 21st day of AUG, 1994, by

WILLARD G. PETE B-483 CALIENTE, NV. 89008

Locator name and address (please print) EDWIN G. MCCORMICKS BOX 342

CALIENTE, NV. 89008

CARLISLE FORM NO. 58 N-T

RECORDER'S STAMP

102261

RECORDED AT REQUEST OF
Willard G. Pete
August 22, 1994
P. 20 MINUTES EAST 4 OF
P. 110 OF
PAGE 517 LINCOLN
COUNTY, NEVADA.

Yuriko Sotzer
COUNTY REC.
By Julie Boucher
Deputy