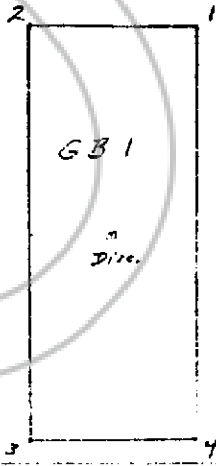
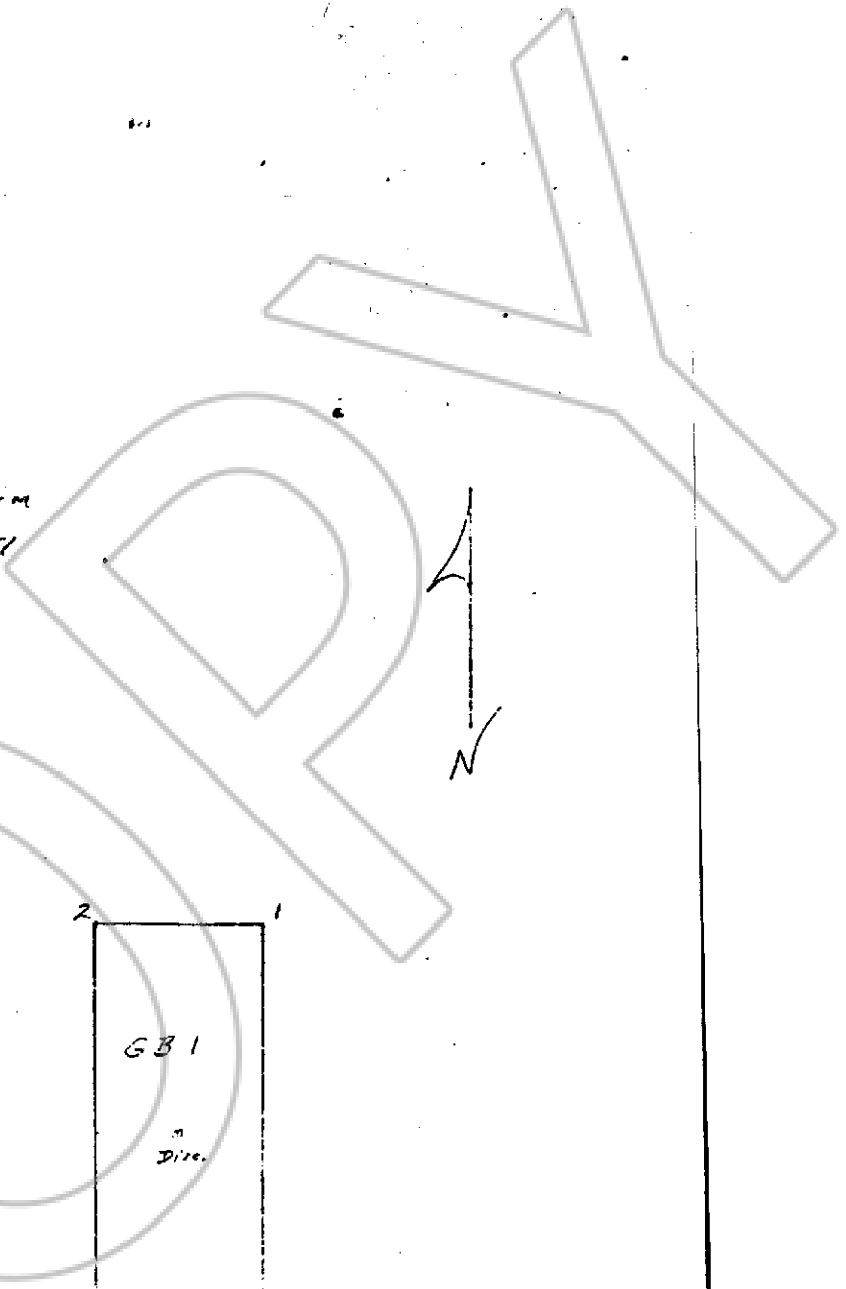


GB1 Lode Claim  
T1N R71E Sec 7  
Lincoln Co., NV  
Scale 1" to 500'



12 7  
13 10

T1N R71E

101359

RECORDED AT REC. OFF. OF  
Robert Nusbaum

January 19, 1994

... 05 ... NO. 108 ... OF OFF.

... PAGE 397 ... LINCOLN

... NEVADA.

Yuriko Setzer

By Sylvia Boucher, Deputy

R. W. Nusbaum  
1240 S. Foothill Dr.  
Lakewood, Colo. 80122