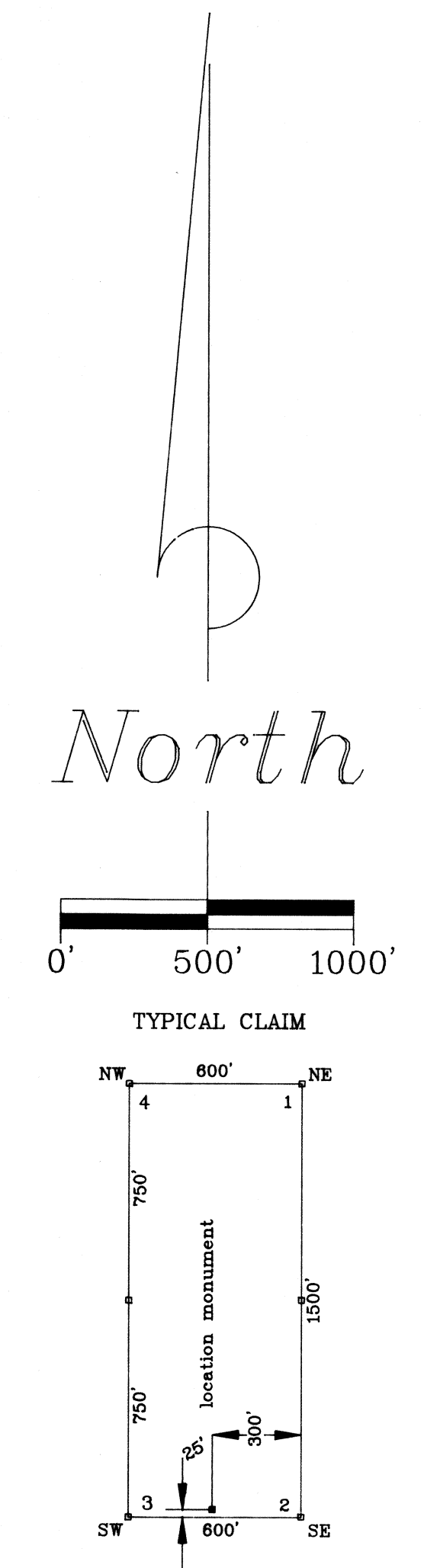
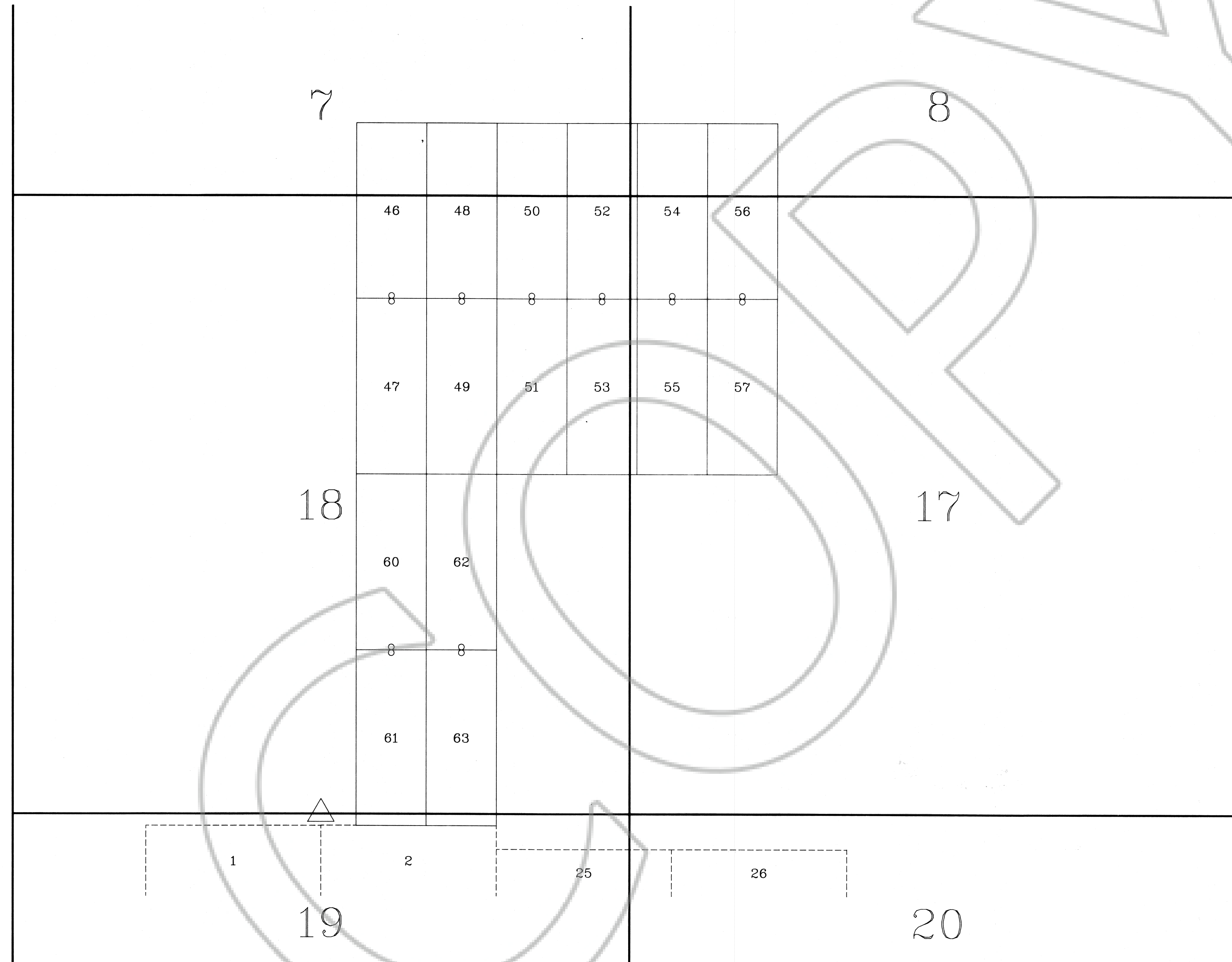


A MAP OF THE SKN LODGE CLAIMS T. 1 N., R. 66 E., M.D.M. LINCOLN COUNTY, NEVADA



NOTE: All section lines are projected.

NOTE: All corner, location and side center monuments are 4" x 4" x 4" wood posts.

BASIS OF BEARING:
Magnetic North using 16 1/2' East declination.

TIE: The Southwest corner of SKN 61 is 100 feet South and 300 feet East of the North 1/4 corner of section 19, T. 1 N., R. 66 E., M.D.M.

DATES OF LOCATION:
SKN 46 to 51 and 60 to 63 on June 30, 1992.
SKN 52 to 57 on July 1, 1992.

099135
 RECORDED AT REQUEST OF
Gold Fields Mining Co.
 August 3, 1992
 15 MINERAL RIGHTS OF OFFICE
 A BOOK 102 OF OFFICIAL
 PAGE 558 LINCOLN
 COUNTY NEVADA
YURIKO SETZER
 COUNTY RECORDER
Mara Condie Reedy

GOLD FIELDS MINING CORP.	
1687 Cole Blvd., Golden, Colorado 80401-3301	
SURVEYED BY D.H.	DATE 7-29-92
DRAWN BY D.H.	SCALE 1"=500'
E. SCHAAF & ASSOCIATES	
<small>881 PALMER DELTA, COLORADO 81416 R.L.S. 19487-U.S. MINERAL SURVEYOR</small>	
ACCT. NO. J9248E1B	SHEET 2 of 2