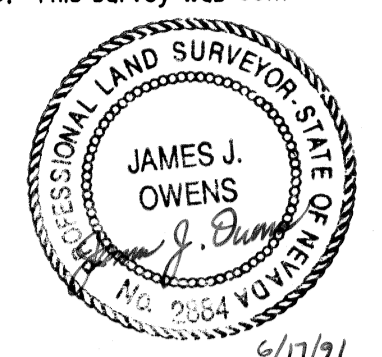


SURVEYOR'S CERTIFICATE

I, James J. Owens, a Professional Land Surveyor registered in the State of Nevada, do hereby certify that this Record of Survey was made at the instance of Richard D. Alfano and Lois Alfano; that all monuments are of the character as indicated and occupy the positions as shown and are sufficient to enable the survey to be retraced; that this survey conforms with the provisions of NRS 625.340 to 625.380. This survey was completed on June 11, 1991.

James J. Owens
Professional Land Surveyor
Nevada Certificate No. 2884



BASIS OF BEARING

The Basis of Bearing is a line between the NW Corner and West 1/4 Corner of Section 2, T. 4 N., R. 67 E., M.D.M., which bears N. 00° 17' 00" W., as shown on the 1924 G.L.O. Dependent Resurvey of a portion of T. 4 N., R. 67 E., M.D.M.; and also on James J. Owens Record of Survey Book Plat A Page 313 dated April 30, 1990.

REFERENCE MAPS

1. 1924 G.L.O. Dependent Resurvey of a portion of T. 4 N., R. 67 E., M.D.M.
2. James J. Owens Record of Survey Book Plat A Page 313, dated April 30, 1990.
3. James J. Owens Record of Survey Plat A Page 316, dated June 15, 1990.

NOTE :

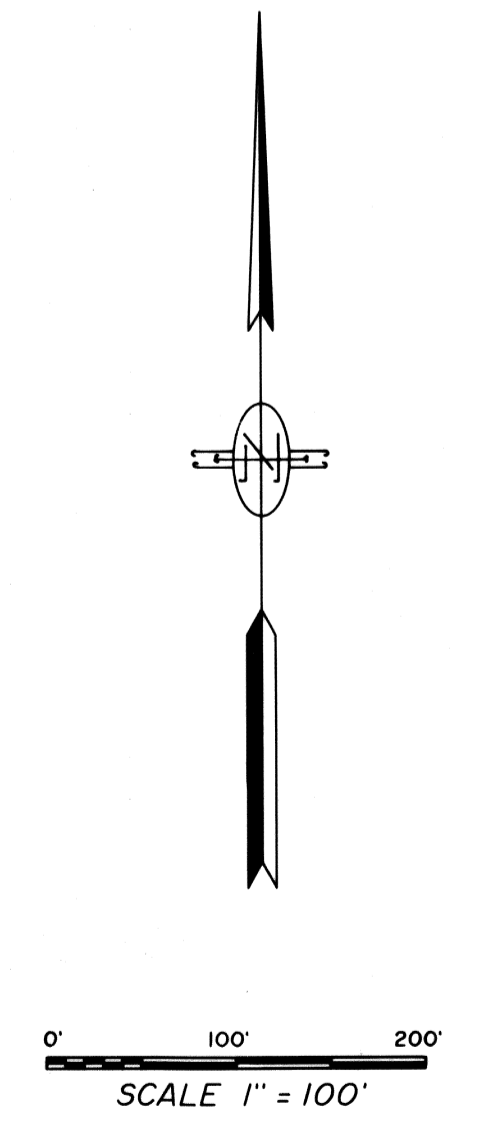
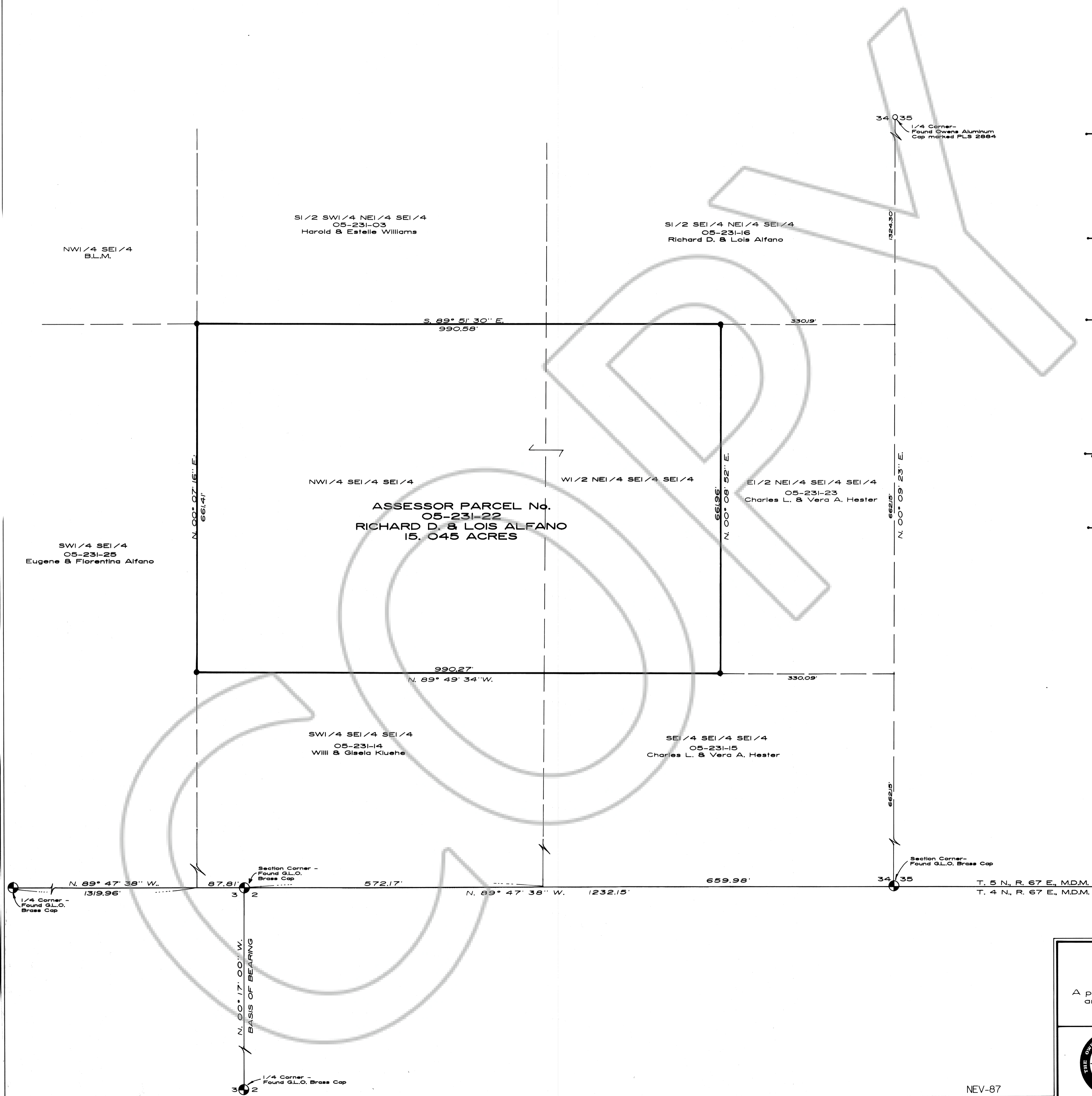
Refer to Record of Survey Book Plat A Page 313 for breakdown of Sec. 34, T. 4 N., R. 67 E., M.D.M. and for detail of witness corner set at E1/4 Corner of said Sec. 34.

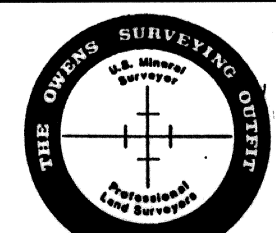
LEGEND

- Property Corner - set 1/2" rebar with plastic cap marked "Owens PLS 2884".
- Found 5/8" rebar with aluminum cap marked PLS 2884.
- ⊙ Found G.L.O. Brass Cap.

STATEMENT

Any subsequent changes to this map should be examined and may be determined by reference to the County Recorder's Cumulative Map Index, NRS 278.5695.



RECORD OF SURVEY for RICHARD D. & LOIS ALFANO		No. <u>97070</u> Filed at the request of <u>Jim Owens</u>
A parcel of land, being the NW1/4 SE1/4 SE1/4 and W1/2 NE1/4 SE1/4 SE1/4 of Sec. 34, T. 5 N., R. 67 E., M.D.M., Lincoln County, Nevada		Date <u>July 17, 1991</u> At <u>9:15 AM</u>
		File <u>Plats A</u> Page <u>349</u>
 THE OWENS SURVEYING OUTFIT Project Mineral, Land Surveying throughout the west. P.O. Box 1330 61 E. Mesquite Boulevard Mesquite, Nevada 89024 (702) 346-2930		Official Records Book No. _____ Lincoln County, Nevada Records Yuriko Setzer, Recorder Fee <u>10.00</u> Deputy <u>Shonda Scher</u>