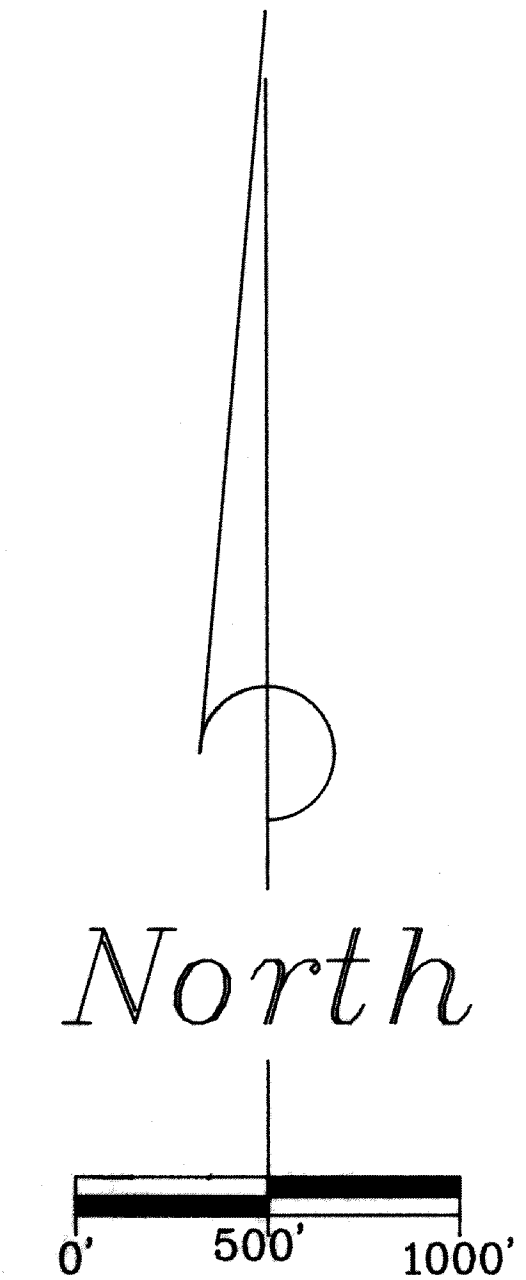
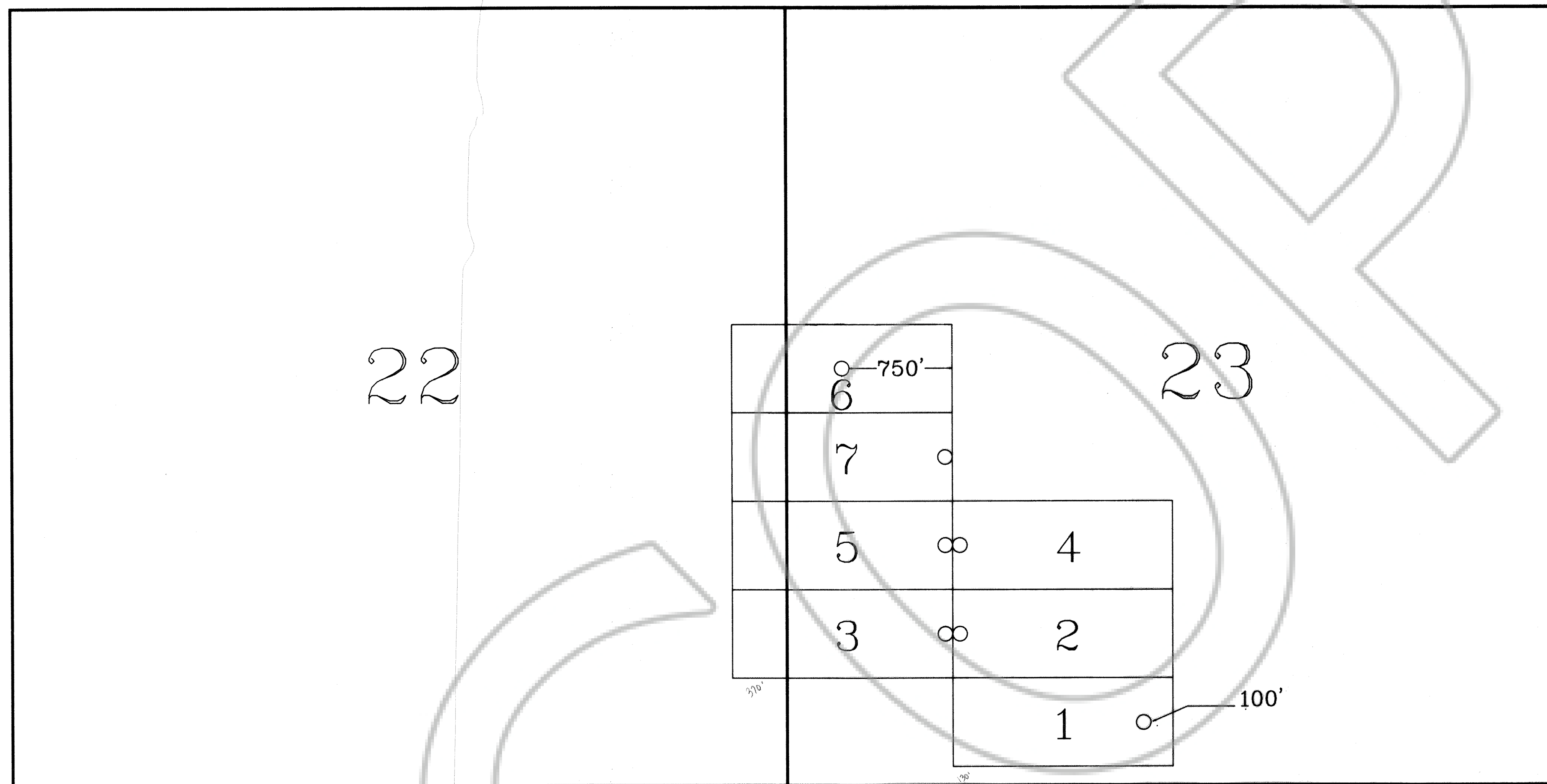
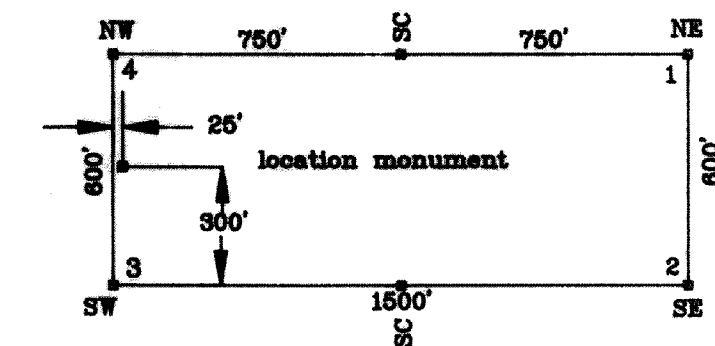


A MAP OF THE ZUG LODE CLAIMS
 T. 7 N., R. 68 E., M.D.M.
 LINCOLN COUNTY, NEVADA



TYPICAL CLAIM



NOTE:
 All section lines are projected.

NOTE:
 All corners and location monuments are 3" PVC pipe.

BASIS OF BEARING:
 All bearings are based on a solar taken at USLM 4843, T. 7 N., R. 68 E., M.D.M. on December 15, 1990.

TIES The Northeast corner of ZUG 1 bears South 7341 ft. and East 4347 ft. from U.S.L.M. 4843.

DATE OF LOCATION:
 ZUG 1-5 & 7 on April 20, 1991.
 ZUG 6 on April 24, 1991.

96808
 Gold Fields Mining
 June 5, 1991
 p 15
 REC 97
 56
 Yuriho Setzer (r)

GOLD FIELDS MINING COMPANY	
1687 Cole Blvd., P.O. Box 4014 Golden, Colorado 80402-4014	
SURVEYED BY D.S.	DATE 5-28-91
DRAWN BY D.S.	SCALE 1" = 500'
CHK. BY E. SCHAAF & ASSOCIATES	ACCT. NO. J9148115
SHEET 1 of 1	