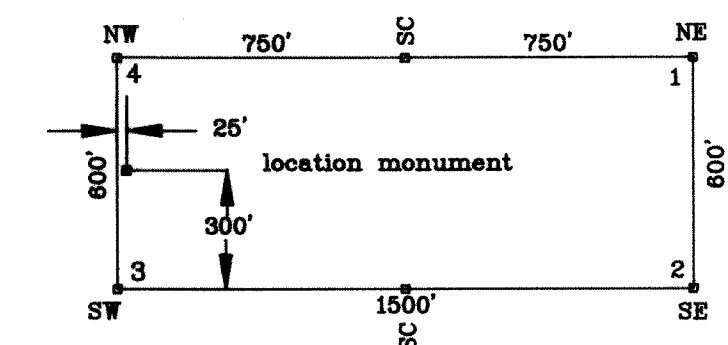
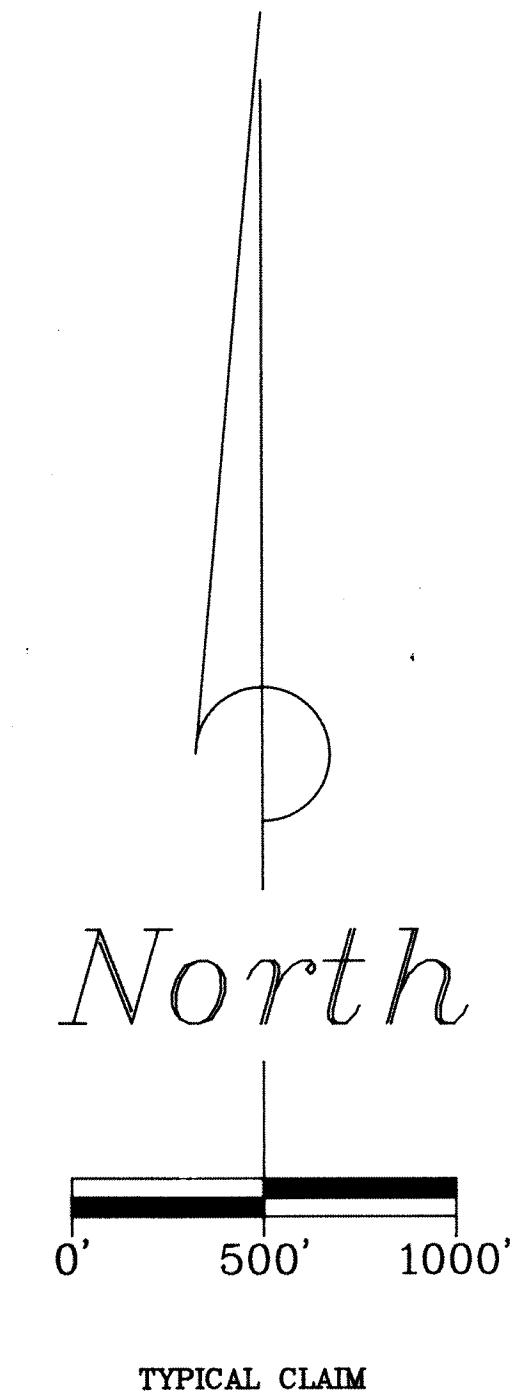
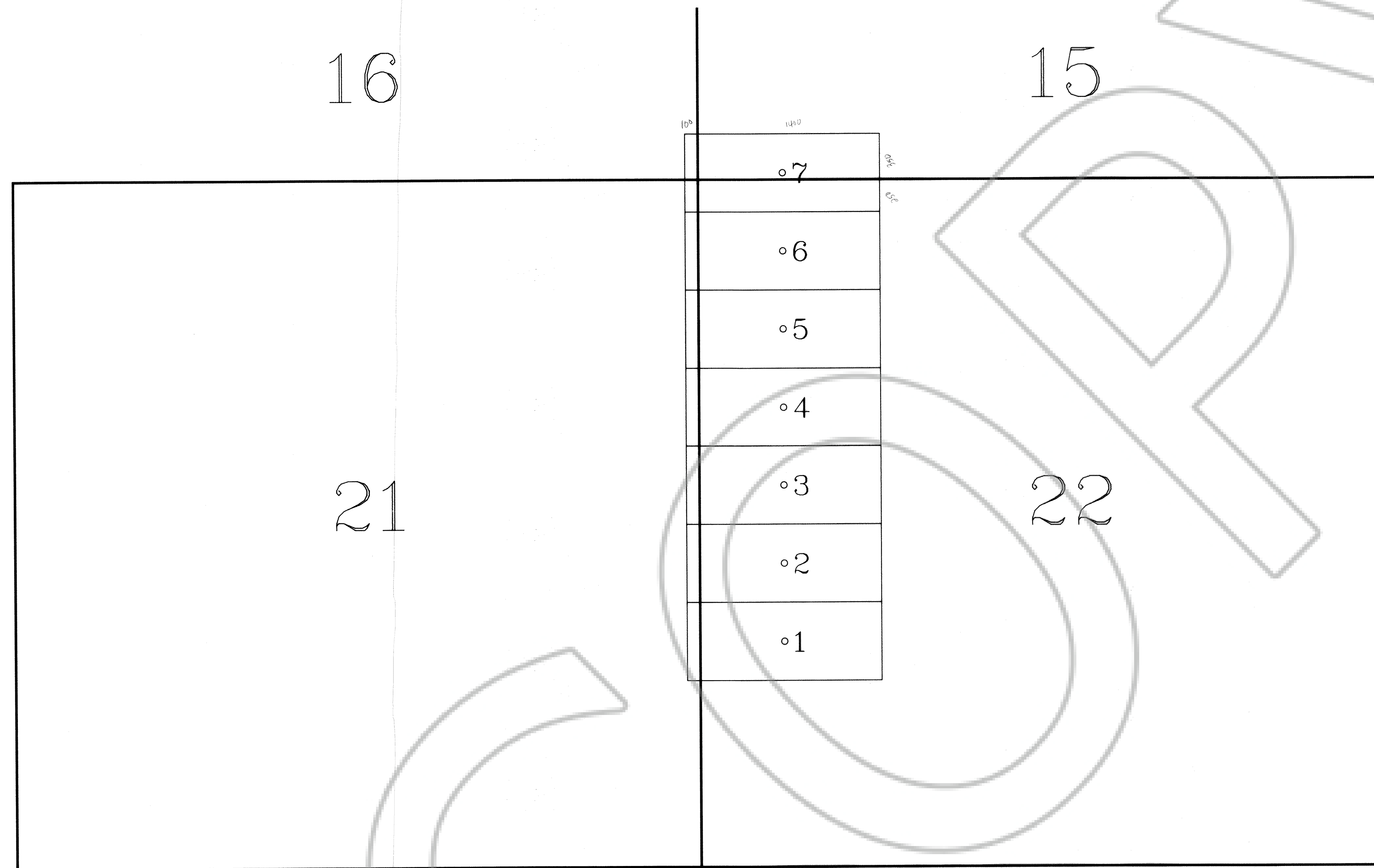


A MAP OF THE ATUK LODGE CLAIMS  
 T. 7 N., R. 68 E., M.D.M.  
 LINCOLN COUNTY, NEVADA



NOTE:  
 All section lines are projected.

NOTE:  
 All corners and location monuments are 3" PVC pipe.

BASIS OF BEARING:  
 All bearings are based on a solar taken at USLM 4843, T. 7 N., R. 68 E., M.D.M. on December 15, 1990.

TIE: The Northeast corner of ATUK 1 bears South 6022 ft. and West 1779 ft. from U.S.L.M. 4843.

DATE OF LOCATION:  
 ATUK 1-7 on April 22, 1991.

96804  
 Gold Fields Mining  
 June 5, 1991  
 P 15  
 97 OFF  
 52 LINCOLN  
 COUNTY NEVADA  
 Yuriko Setzer (s)  
 COUNTY REC.

		GOLD FIELDS MINING COMPANY	
		1687 Cole Blvd., P.O. Box 4014 Golden, Colorado 80402-4014	
SURVEYED BY	DATE	CHK. BY	
D.S.	5-6-91	E. SCHAAF & ASSOCIATES	
DRAWN BY	SCALE	ACCT. NO.	
D.S.	1"=500'	J9148114	SHEET 1 of 1