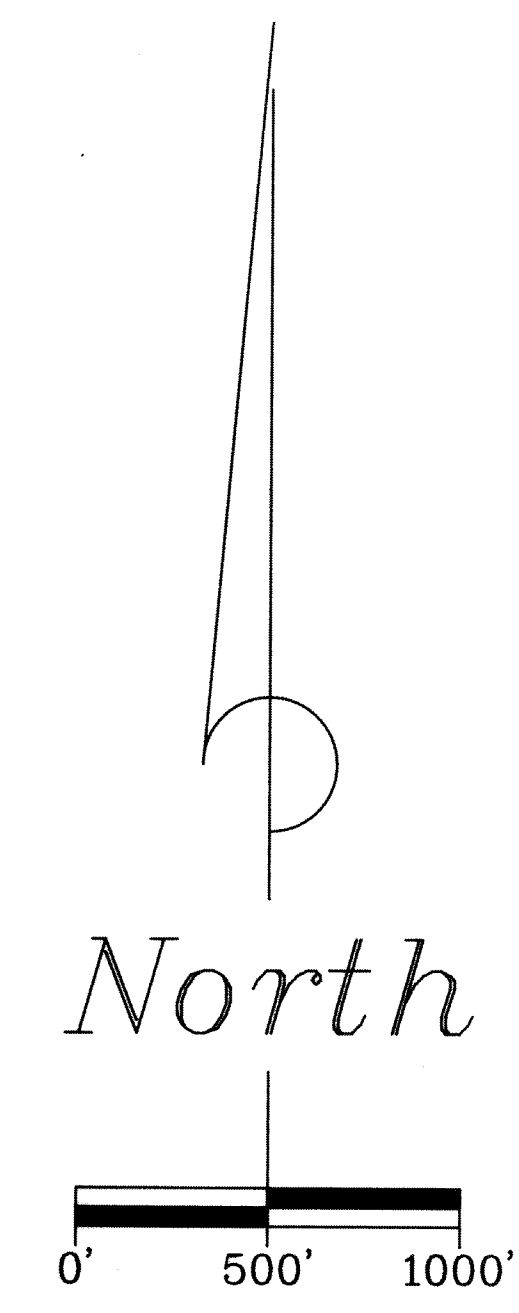
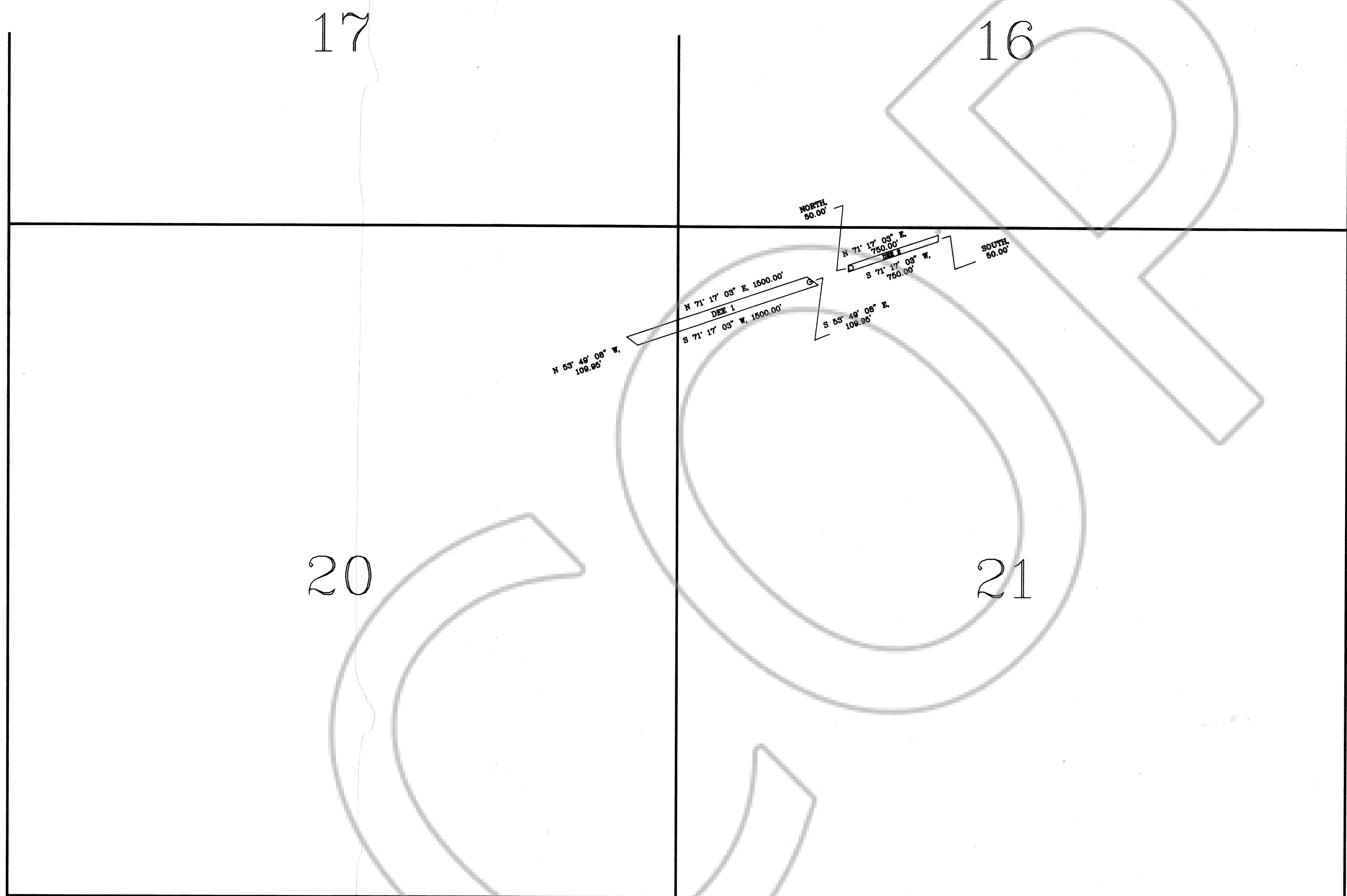


A MAP OF THE DEE LODGE CLAIMS
 T. 7 N., R. 68 E., M.D.M.
 LINCOLN COUNTY, NEVADA



NOTE: All section lines are projected.
 NOTE: All corners and location monuments are 3" PVC pipe.
 BASIS OF BEARING:
 Magnetic North using 16' East declination.
 TIE: The Northeast corner of DEE 1 is S 61° 15' 02" W, 8287.64 feet of the U.S.L.M. 4843.
 TIE: The Northeast corner of DEE 2 is S 59° 36' 20" W, 7223.19 feet of the U.S.L.M. 4843.
 Date of Location:
 DEE 1-2 on March 13, 1991.

096692
 Gold Fields Mining
 May 1, 1991
 30
 P 96 OFF
 EC 538 LINCOLN
 COUNTY
 Yuriko Setzer
 Rhonda Zehner, Deputy

GOLD FIELDS MINING CORP.	
1687 Cole Blvd., P.O. Box 4014 Golden, Colorado 80402-4014	
SURVEYED BY	DATE
D.S.	8-23-91
DRAWN BY	SCALE
D.N.	1"=500'
ACCT. NO.	J9148110
SHEET 1 of 1	