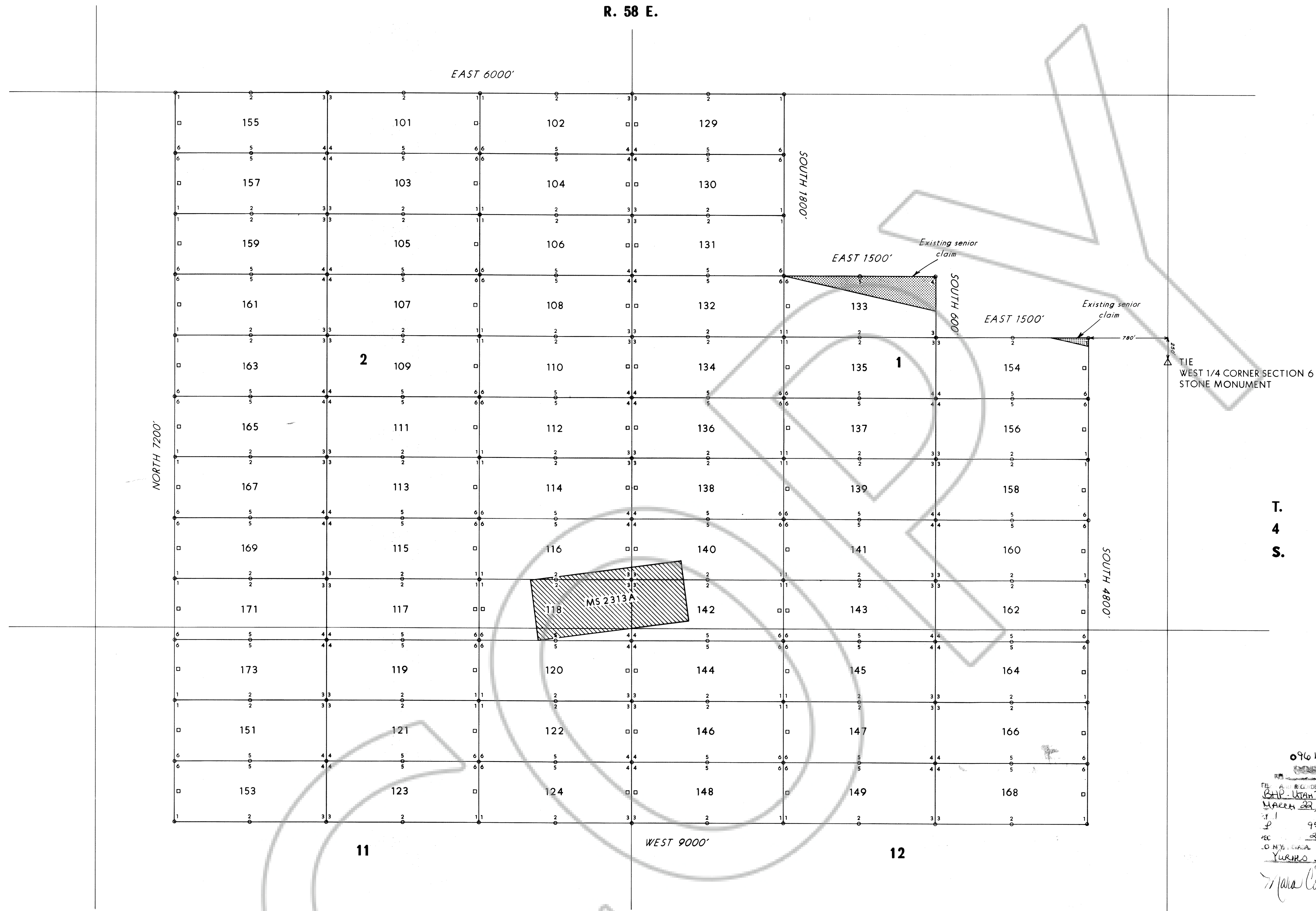
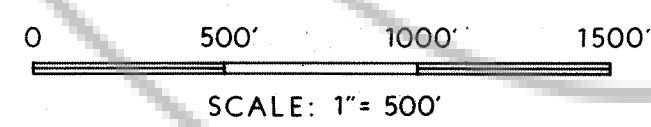


R. 58 E.



Note: All section lines are projected



**NOTE:**

All claims 600' x 1500'  
 Discovery monuments 20' in from end centers  
 Corners, side centers and discovery monuments marked with 3" dia. PVC pipe and aluminum tags denoting appropriate corners

**C.I.M. LODE CLAIM NUMBERS AND DATES LOCATED**

102, 104, 106, 108, 110, 112, 129, 130, 132, 133, 134, 136	)} MAY 9, 1990	101, 103, 105, 107, 109, 111 113, 115, 119, 121, 123	)} MAY 13, 1990
114, 116, 118, 120, 122, 124, 138, 140, 144, 146, 148	)} MAY 10, 1990	155, 157, 159, 161, 163, 165	)} MAY 16, 1990
133, 135, 137, 139, 141, 142, 143, 145, 147, 149	)} MAY 11, 1990	151, 153, 167, 169, 171, 173	)} MAY 17, 1990
154, 156, 158, 160, 162, 164, 166, 168	)} MAY 12, 1990		

[These claims are located by Freelance Geology Inc.  
 An agent for BHP-Utah International Inc.]

096145  
 FILED AND RECORDED AT THE OFFICE OF THE CLERK OF LINCOLN COUNTY, NEVADA, 1991  
 MAY 11 95  
 REC 936  
 LINCOLN COUNTY, NEVADA  
 YURKO SETZER  
 COUNTY REC. CLERK  
 Maria Conner Deputy

BOOK 95 PAGE 236

**BHP-UTAH International Inc**  
 WESTERN U.S. EXPLORATION

Map Title: C.I.M. Unpatented Lode Claims

Project/Property: Logan Pass

District: Pahrangat      Data By: F.L.G. Inc.

County: Lincoln

State: Nevada      Drafted By: C. Williams

Scale: 1" = 500'

Contour Interval:      Revised By:

Reference: