

G.L.O. BRASS CAP

G.L.O. BRASS CAP

N. 85° 45' 15" E.  
2671.63'

T. 1 S., R. 68 E., M.D.B. & M.  
T. 2 S., R. 68 E., M.D.B. & M.

VACATED ADAIR ('A') STREET

**SURVEYOR'S CERTIFICATE**

300

I, James J. Owens, a duly registered Land Surveyor in the state of Nevada, as agent for The Owens Surveying Outfit, do hereby certify that this Record of Survey, consisting of one sheet, accurately and completely delineates a survey made by me or under my direct supervision, at the instance of Orrin B. Dotson; all monuments are of the character and occupy the positions shown and are sufficient to enable the survey to be retraced; this survey conforms with the definitions and provisions of the Nevada Revised Statutes 278.010 to 278.630, inclusive. This survey was completed on April 19, 1989.



James J. Owens  
Registered Land Surveyor  
Nevada Certificate No. 2884

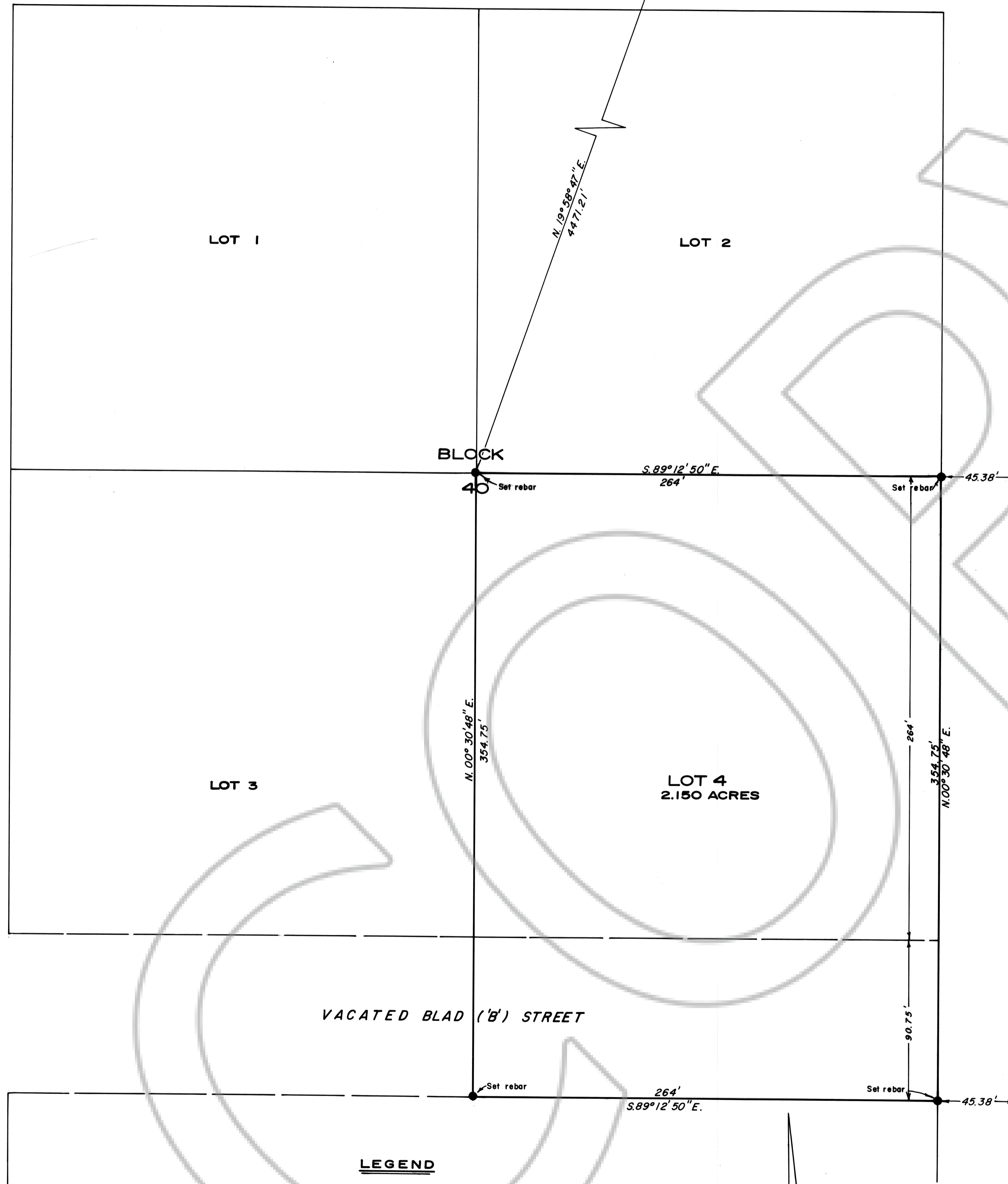
**BASIS OF BEARINGS**

The basis of bearings is the Panaca Grid Coordinate System established by Frank C. Hulse, R.L.S. 6498, by solar observation from the northwest corner of section 4 to the north quarter corner of section 4, Township 2 South, Range 68 East, Mount Diablo Base and Meridian, with a bearing of N. 89° 45' 15" E.

**REFERENCE DOCUMENTS**

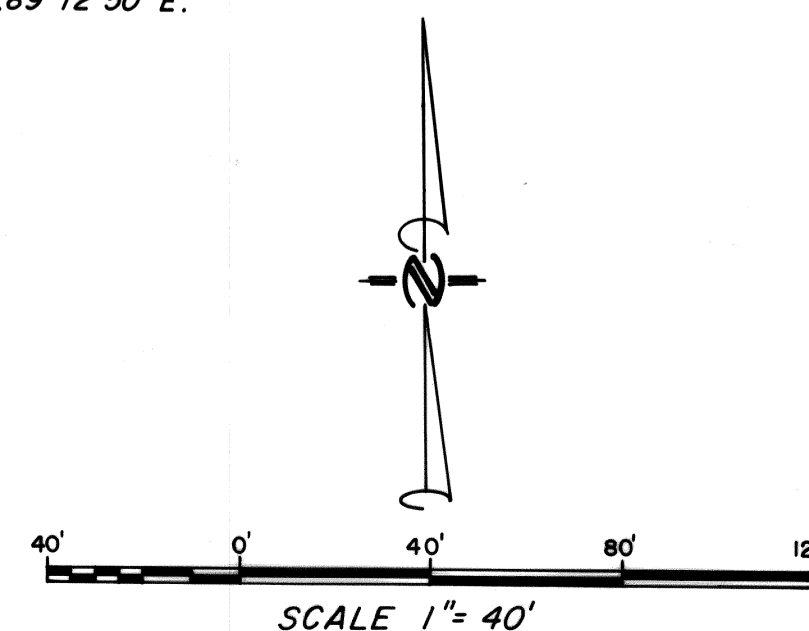
- 1- Map of Panaca City by Frank Walker, County Surveyor, dated March 6, 1922.

VACATED 4th STREET



**LEGEND**

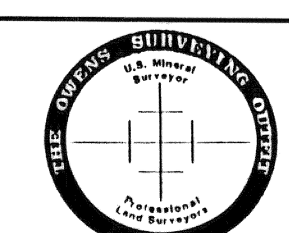
- Set 3/4" rebar with cap marked RLS 2884
- ⊠ Quarter Corner
- ⊠ Section Corner



C.H. Griffith 4/24/89  
JOB No. NV-3

**RECORD OF SURVEY**  
FOR  
**ORRIN B. DOTSON**  
SHOWING  
Lot No. 4, Block 40 and that portion of vacated Blad ('B') Street,  
Panaca City, Lincoln County, Nevada

No. 91155  
Filed at the request of  
ORRIN B. DOTSON  
Date 5-1-89 At 1:40 P.M.  
File PLAT A Page 300  
of Survey Maps



**THE OWENS SURVEYING OUTFIT**  
Project Mineral, Land Surveying throughout the west:

P.O. Box 1330  
Mesquite, Nevada 89024  
702-746-2020

Official Records Book No. A-1  
Frank C. Hulse, Recorder  
Fee 110.00 Deputy Walter A. ...