

SURVEYOR'S STATEMENT

Frank C. Hulse states he is a Registered Land Surveyor in the State of Nevada, that he conducted a survey of lots 42, 43, & 44 in Block 37, Town of Pioche, Nevada at the instance of Mr. & Mrs. Davenport. The above mentioned survey was completed on April 1st, 1985.

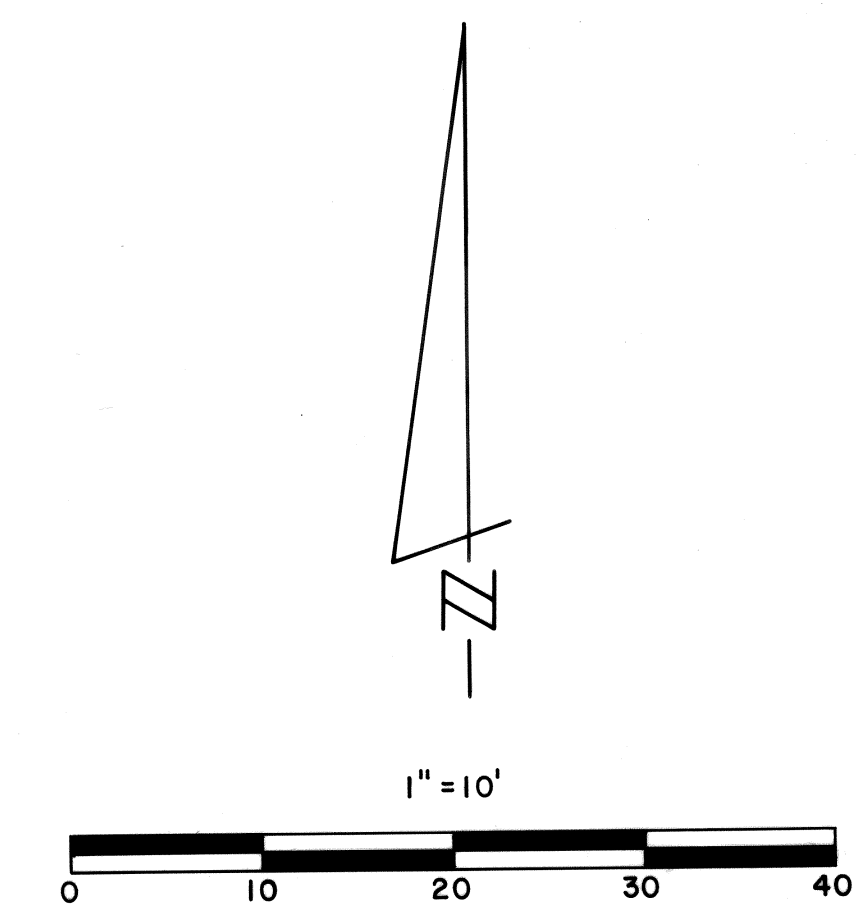
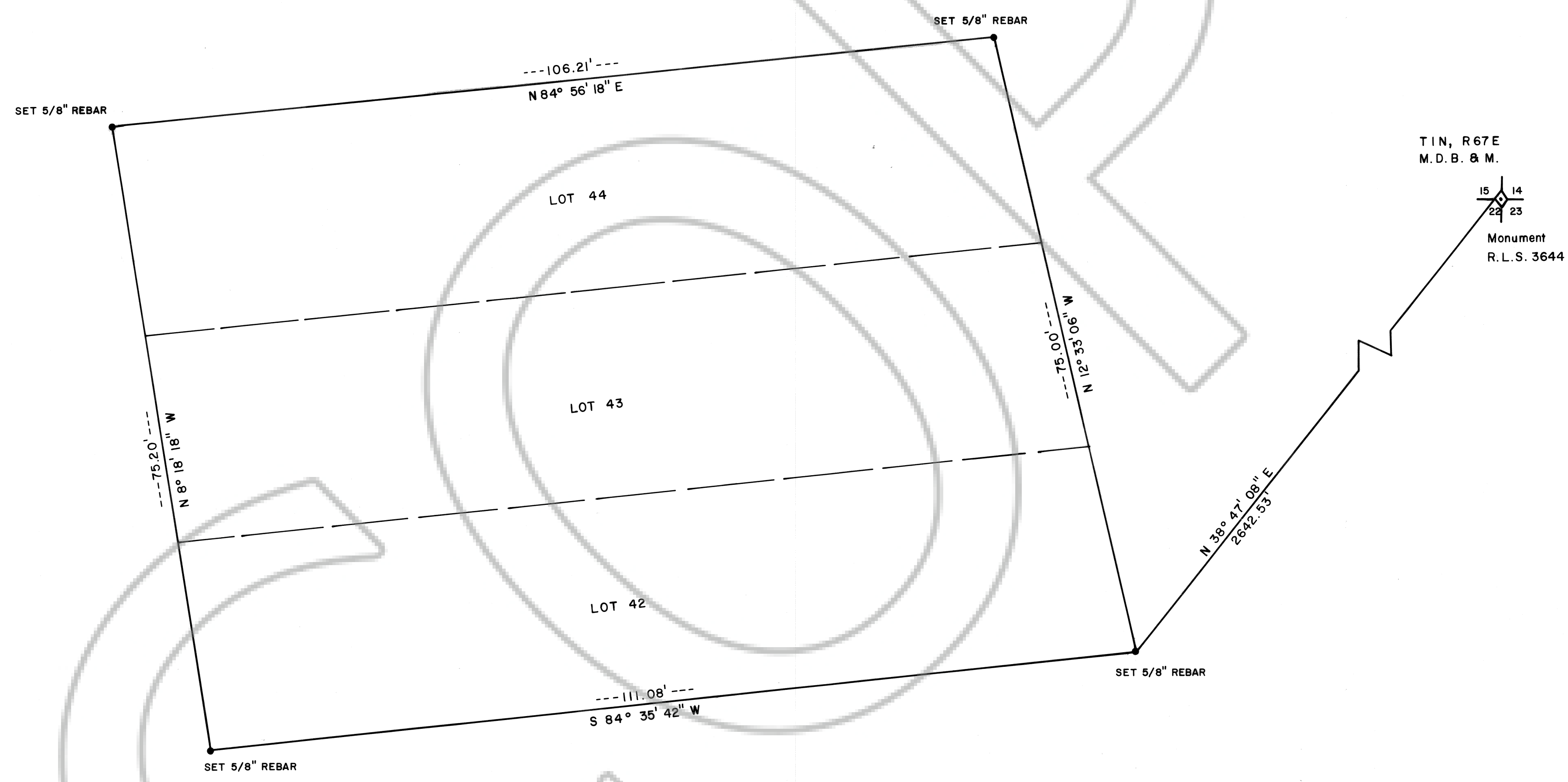
Frank C. Hulse R.L.S. 6498
5/6/85

OWNER'S CERTIFICATE

This plat has been prepared by Frank C. Hulse R.L.S. 6498 at the request of the undersigned owners, and they hereby consent to the recording of this plat as a Record of Survey.

Denton A. Davenport
Mary L. Davenport
Owner(s)

A PORTION OF BLOCK 37
TOWN OF PIOCHE



FILED AND RECORDED AT REQUEST OF
HULSE ENGINEERING
MAY 6, 1985
P.M. 1 O'CLOCK
PLATA
RECORDS PAGE 243
YURIKO SETZER
Mara Condie / Deputy

RECORD OF SURVEY MAP SHOWING LOTS 42, 43, & 44 OF BLOCK 37, PARCEL 01-057-11, TOWN OF PIOCHE. PREPARED AT THE INSTANCE OF MR. & MRS. DAVENPORT.