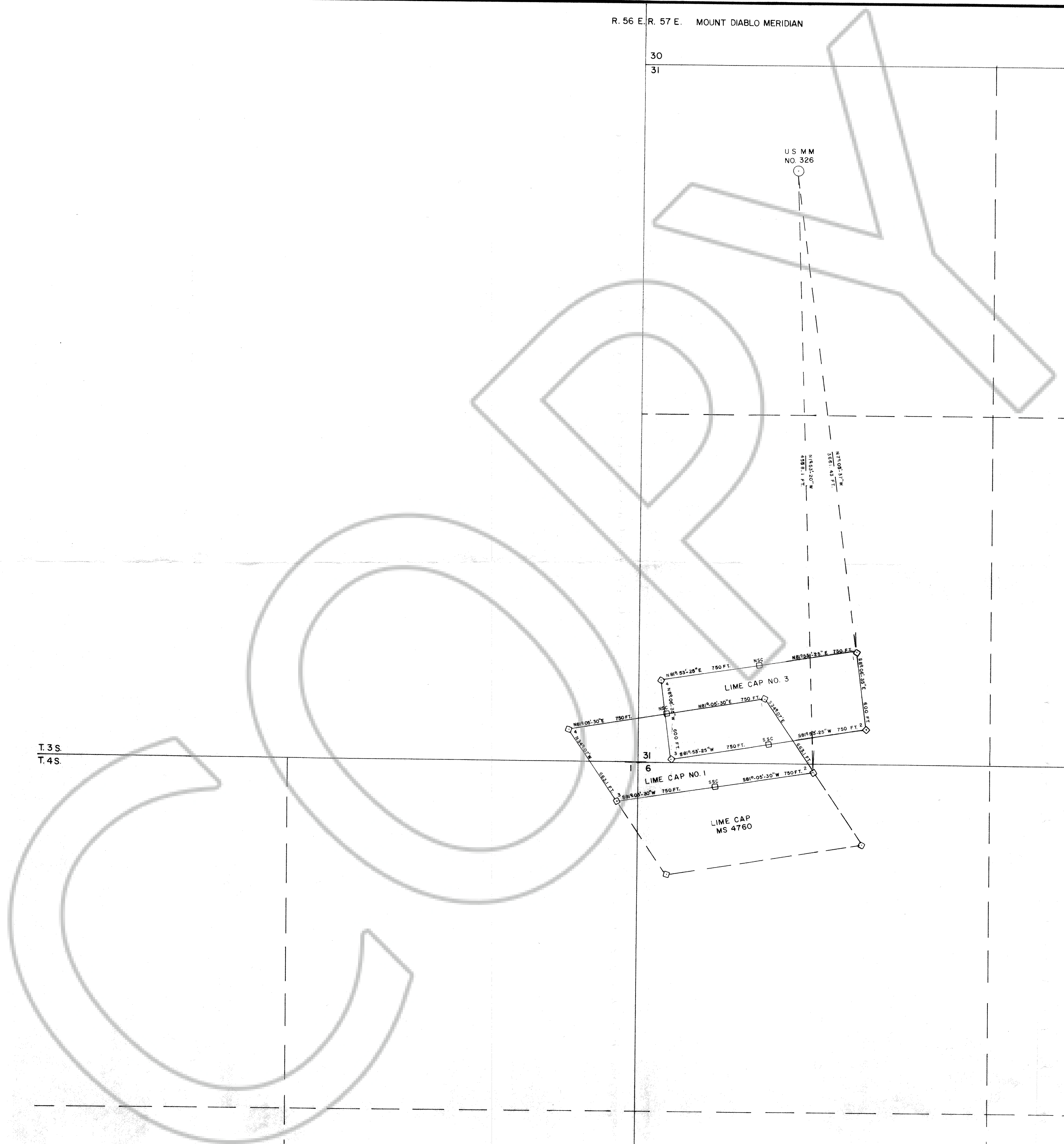


30
31

30 29
31 32

T. 3 S.
T. 4 S.

31 32
6 5



No. **62883**
 FILED AND RECORDED AT REQUEST OF
UNION CARBIDE CORP.
 Oct. 2, 1978
 AT 30 MINUTES PAST 10 O'CLOCK
 A.M. IN BOOK 27 OF OFFICIAL
 RECORDS, PAGE 360 LINCOLN
 COUNTY, NEVADA.
John M. Jensen
 COUNTY RECORDER

TELEDYNE INDUSTRIES, INC.
 1901 AVENUE of the STARS
 LOS ANGELES, CALIFORNIA 90067

CLAIM MAP OF
LIME CAP NO. 1 & LIME CAP NO. 3

TEMPIUTE MINING DISTRICT
 LINCOLN COUNTY, NEVADA

SCALE 1" = 400' SEPT. 26, 1978