

HIGHLAND KNOLLS

A SUBDIVISION OF NORTH 1/2 OF SECTION 3,
TOWNSHIP 3 SOUTH, RANGE 67 EAST,
MOUNT DIABLO MERIDIAN, NEVADA.

Surveyor Certificate

I, DENNIS H. WISE, Registered Land Surveyor in the State of Nevada, do hereby certify that this is a true and accurate map of the land surveyed under my direct supervision at the instance of ERIC SCHAEFFER and THEODORE HOLMGREN, and laid out into lots and streets as shown and have been definitely established and perpetuated in strict accordance with the law and are situated wholly within the N1/2, Sec. 3, Township 3 South, Range 67 East, M.D.B. & M. HIGHLAND KNOLLS unit no. 1 a subdivision in Lincoln County, State of Nevada.

Dennis H. Wise
Dennis H. Wise
Registered Land Surveyor no. 2379

Owners Certificate

We, ERIC SCHAEFFER and THEODORE HOLMGREN, do hereby certify that we own or control all the parcels of land included within the subdivision shown on this map, and consent to the preparation and recordation of such map and subdivision as shown hereon, and hereby offer and dedicate for the use of the public all streets and easements as indicated and outlined herein.

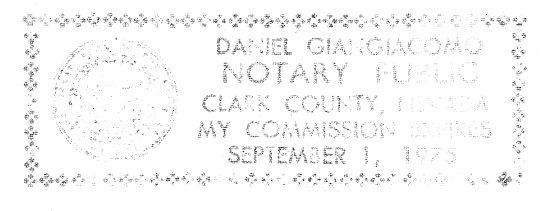
Eric Schaeffer
ERIC SCHAEFFER
Theodore Holmgren
THEODORE HOLMGREN

Acknowledgement

state of Nevada ss.
County of Clark

On this 20th day of June 1972, personally appeared before me, a notary public, ERIC SCHAEFFER and THEODORE HOLMGREN, who acknowledged that they executed the foregoing certificate and offer of dedication.

Daniel Giangiacoia
Notary Public



Basis Of Bearing

The bearings shown are based on a bearing of N 0° 11' 00" W on the east line of the NE 1/4, Sec. 3, Township 3 South, Range 67 East M.D.B. & M., Nevada by the United States Department of the Interior Bureau of Land Management, township survey plat.

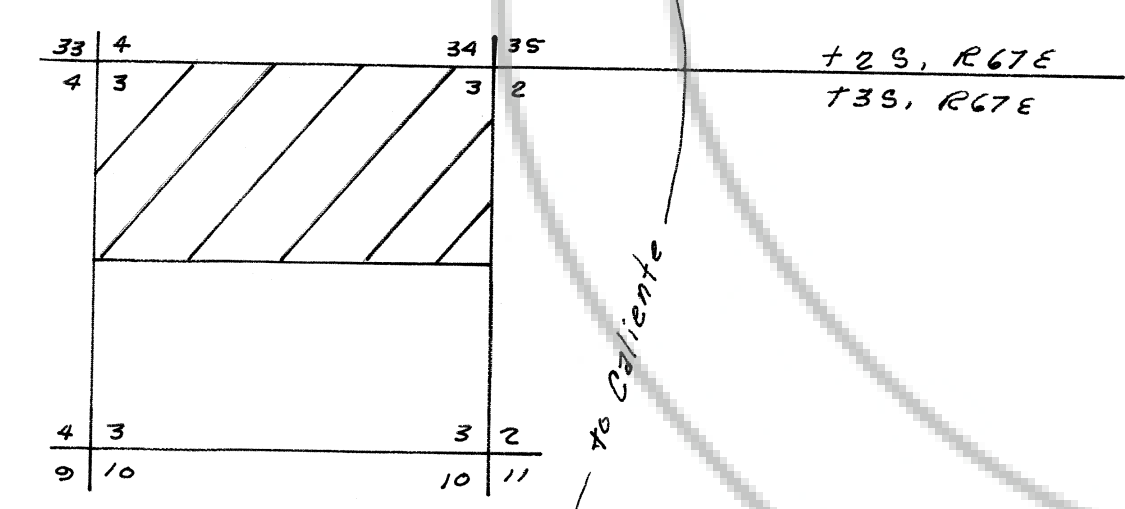
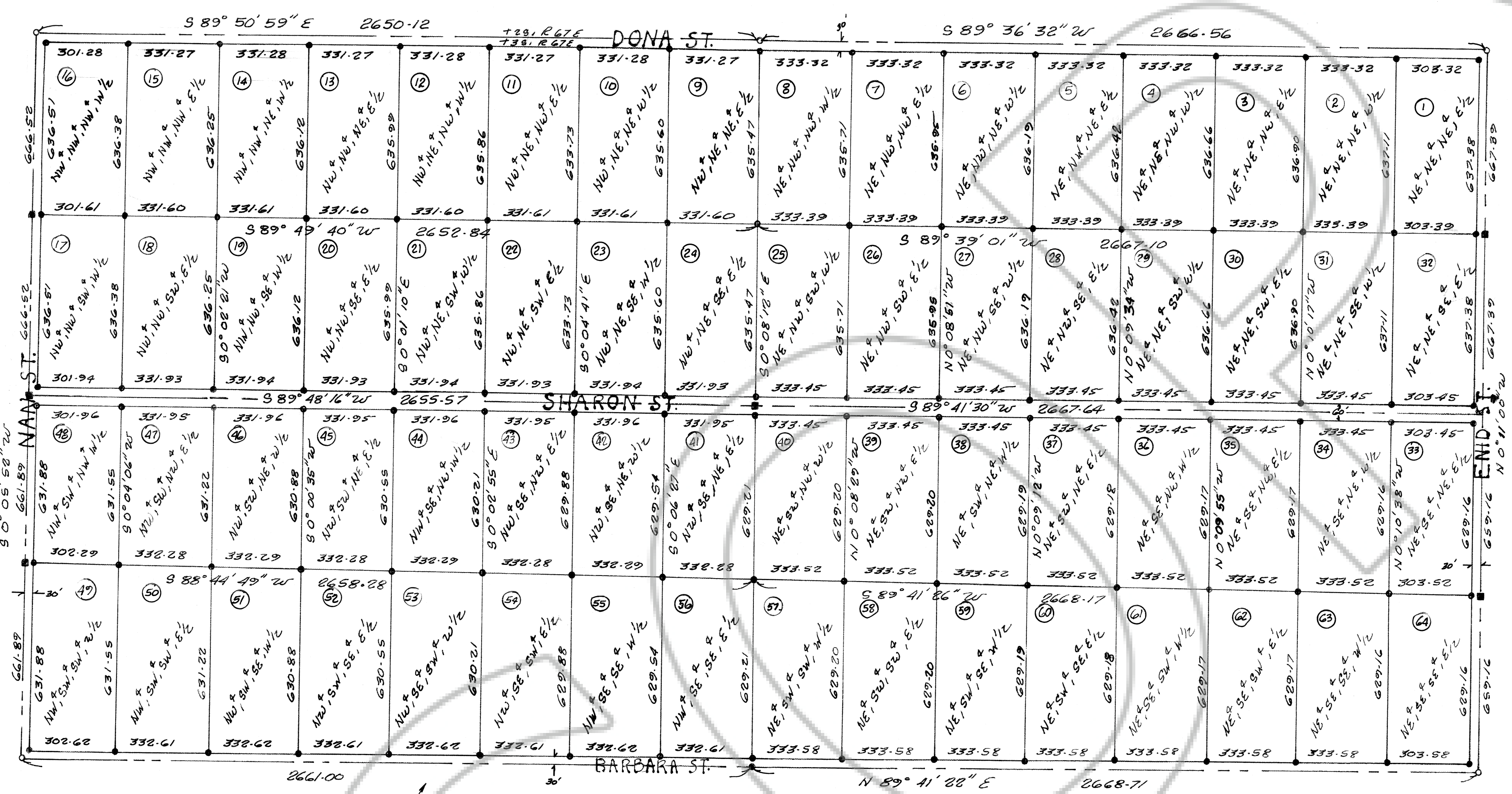
Approvals Health Division

Water Tested at "D" Coliforms
Chin O. Point

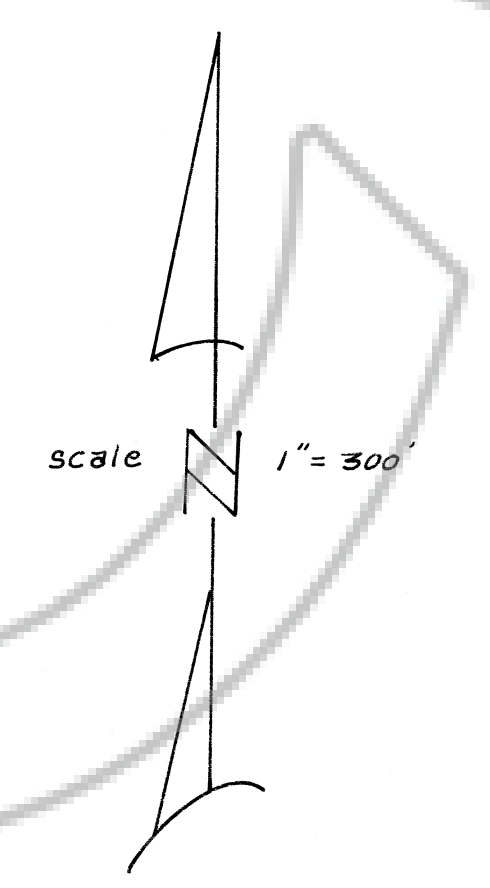
Percolation Test Completed and Soil Found Satisfactory for Septic Tanks and Leach Lines.

This subdivision approved this 4th day of July 1972, State Division of Health, Bureau of Environmental Health
Chin O. Point

51895
No. MEADOW VALLEY ESTATES
Recorded at the Request of
Date Aug. 9, 1972 at 11:50 A.M.
Book PLATS page 199 of plats
official Records Book No.
Lincoln County, Nevada Records
Frank B. Blanton
RECORDER
see deputy



Location map



Approvals:

Approved this 7 day of August 1972 by the Lincoln County planning Commission, Lincoln County, Nevada.

Kenneth H. Lee
Chairman

Approved and accepted this 7 day of August 1972 by the Board of Commissioners of Lincoln County, Nevada.

Attest Clerk
Dennis H. Lee
Chairman